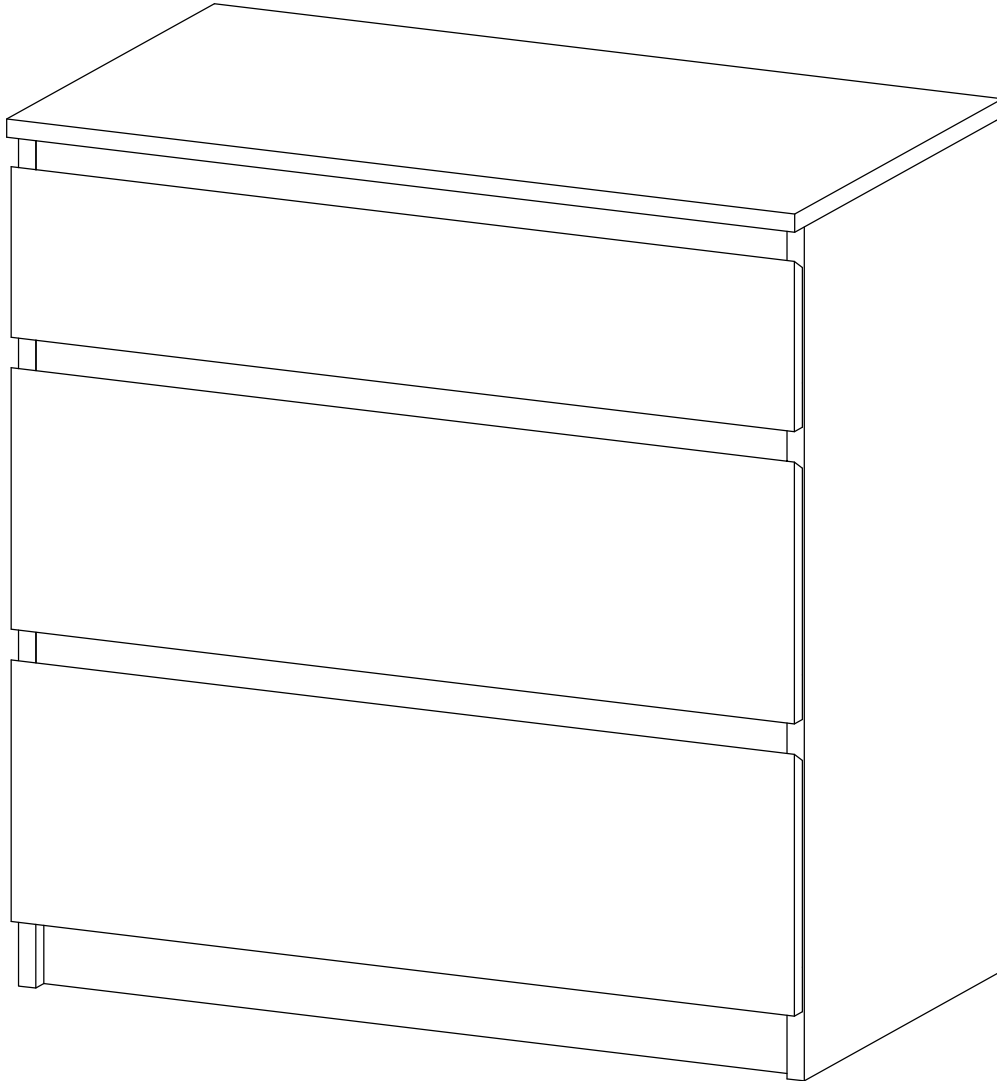
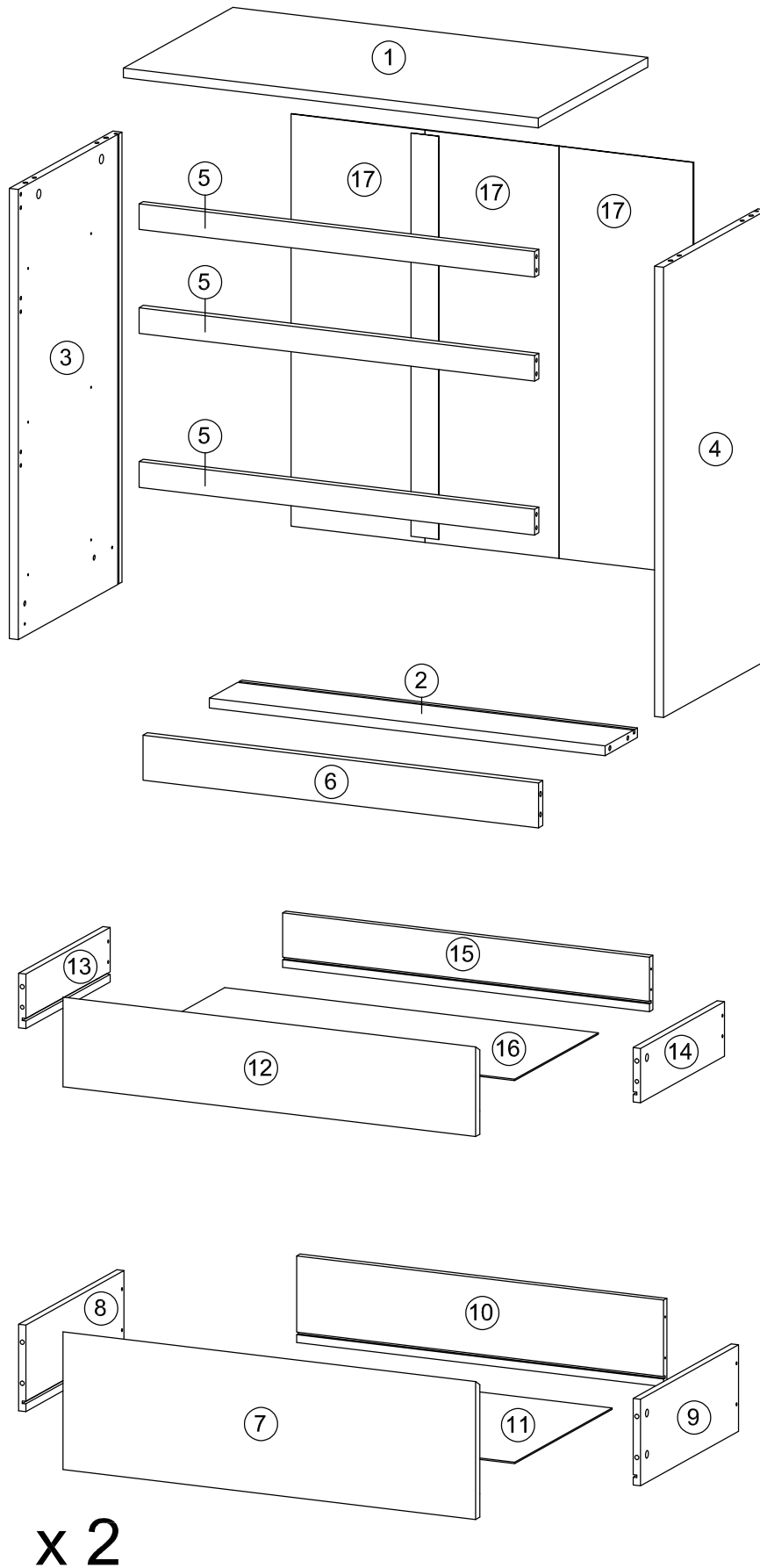


MOKU CH 3





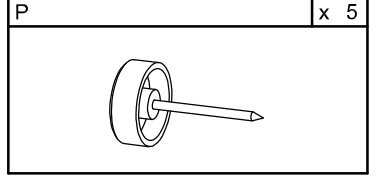
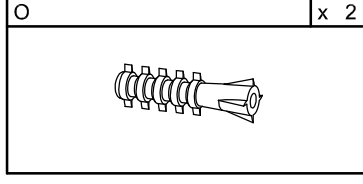
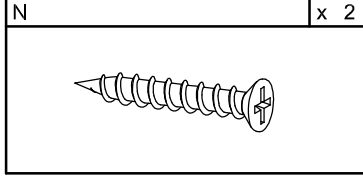
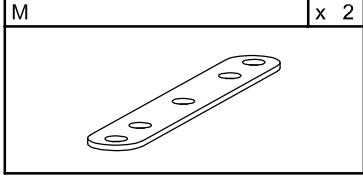
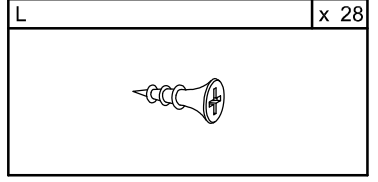
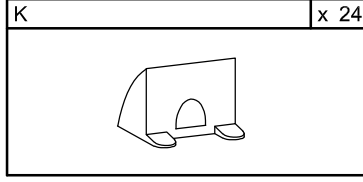
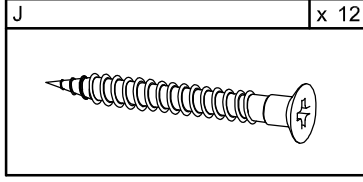
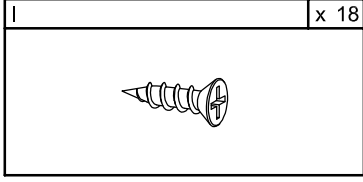
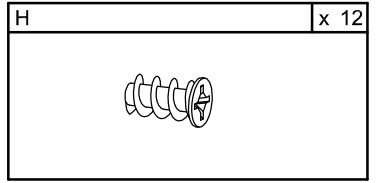
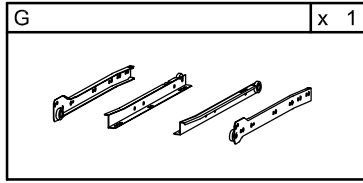
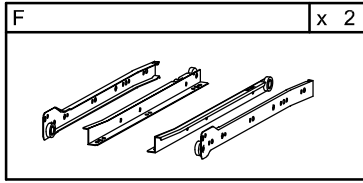
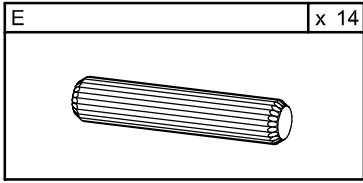
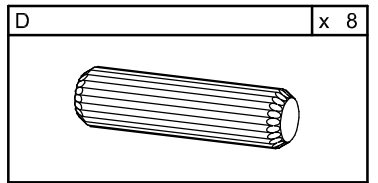
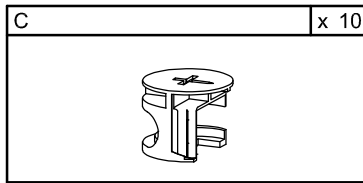
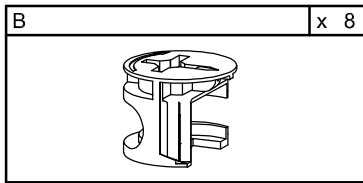
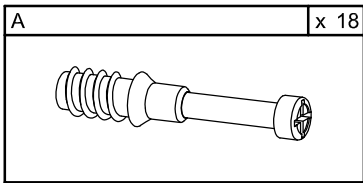
x 2

No	Size	Qty
1	691 x 398 x 15 mm	1
2	659 x 116 x 15 mm	1
3	702 x 378 x 15 mm	1
4	702 x 378 x 15 mm	1
5	659 x 40 x 15 mm	3

No	Size	Qty
6	659 x 70 x 15 mm	1
7	686 x 215 x 15 mm	2
8	350 x 135 x 12 mm	2
9	350 x 135 x 12 mm	2
10	611 x 135 x 12 mm	2

No	Size	Qty
11	622 x 348 x 2.2 mm	2
12	686 x 140 x 15 mm	1
13	300 x 85 x 12 mm	1
14	300 x 85 x 12 mm	1
15	611 x 85 x 12 mm	1

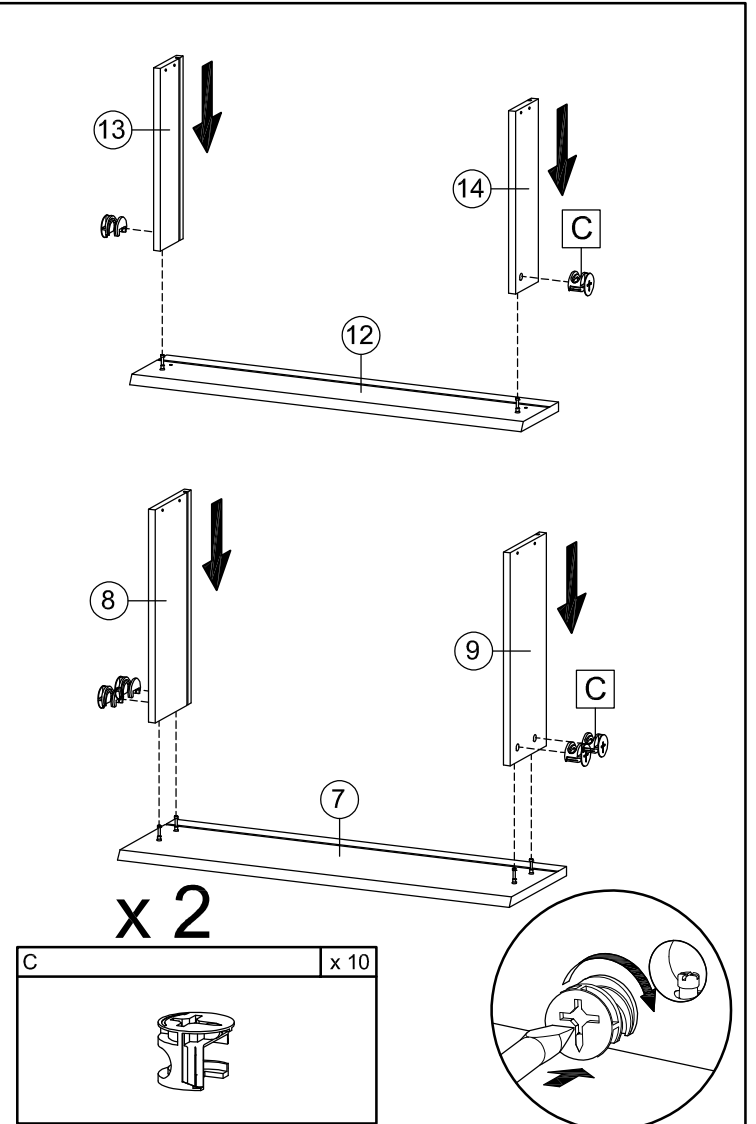
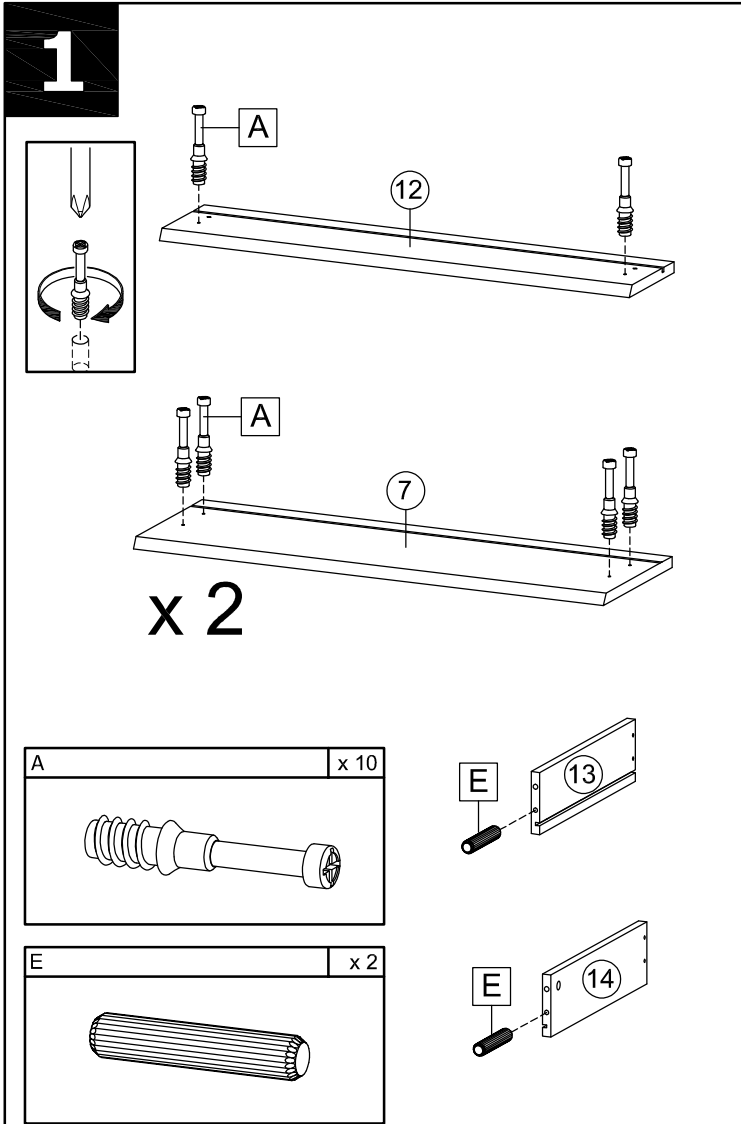
No	Size	Qty
16	622 x 298 x 2.2 mm	1
17	643 x 223 x 2.2 mm	3



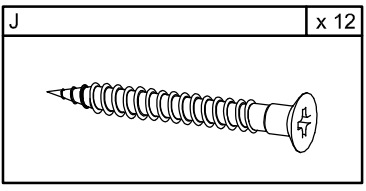
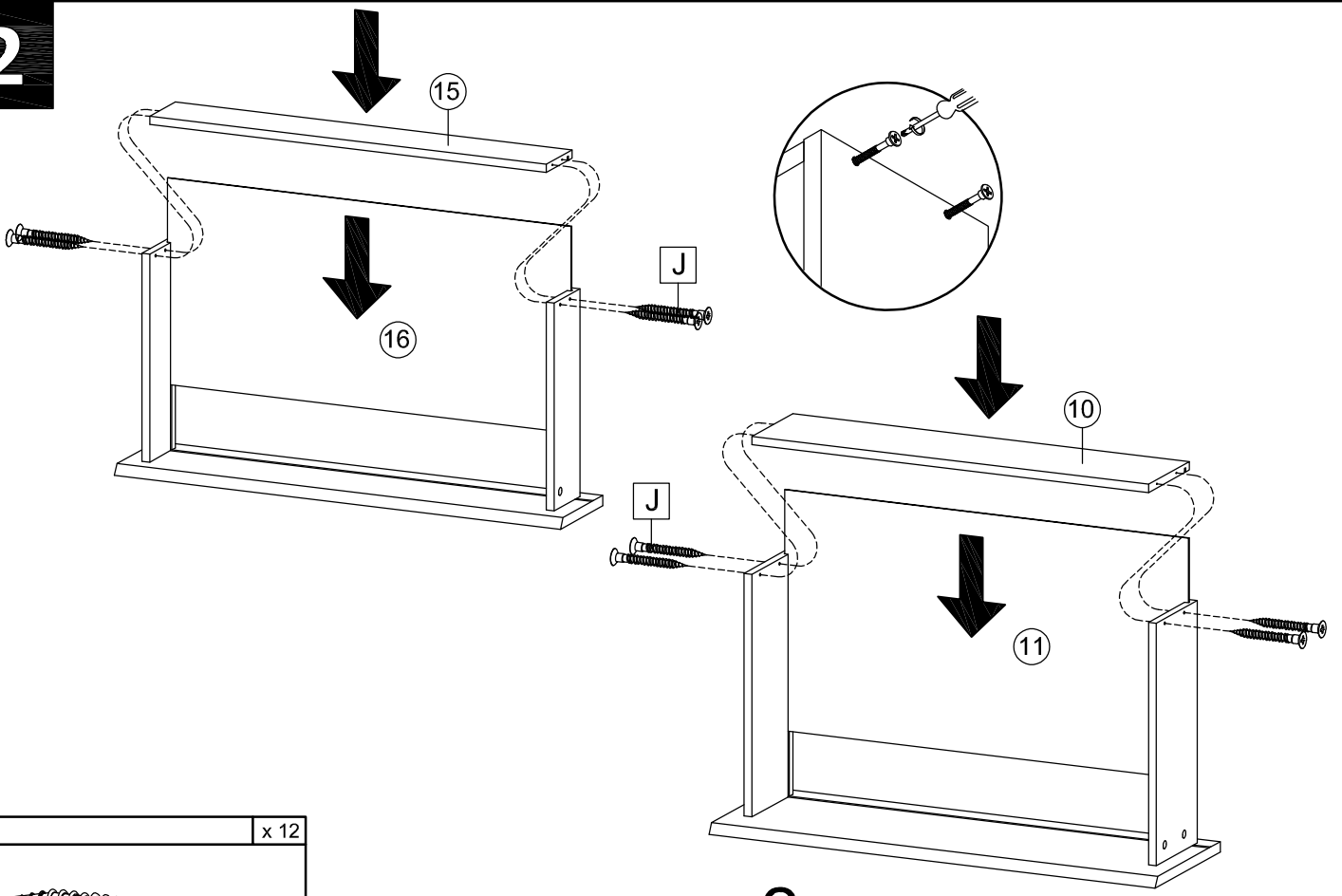
SET-UP TIME : 60 MINUTES

NUMBER OF PERSONS : 02

TOOLS :

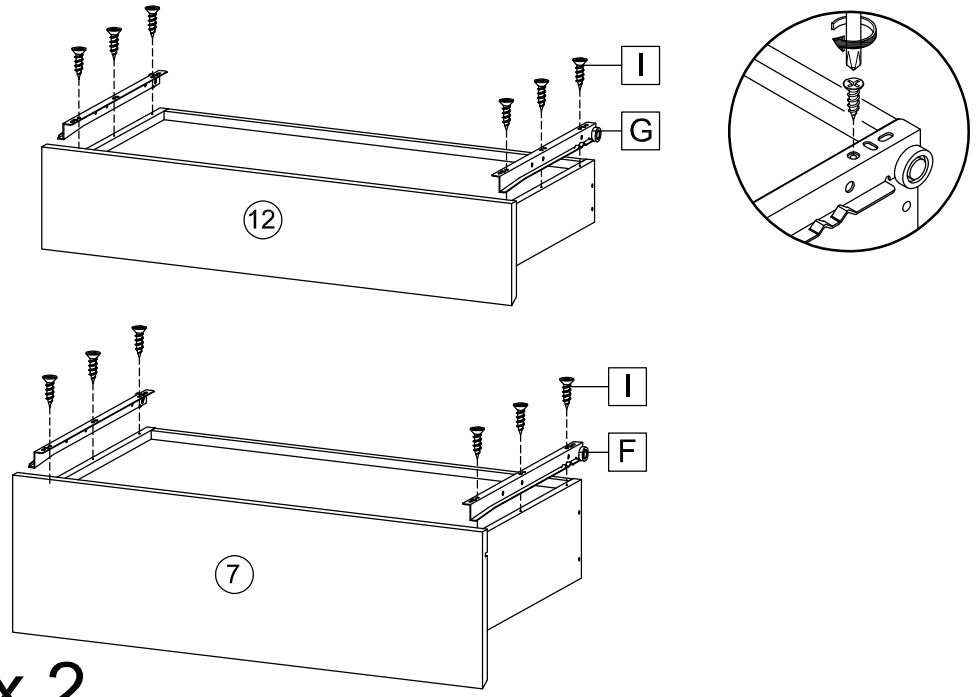


2

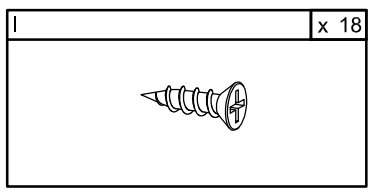
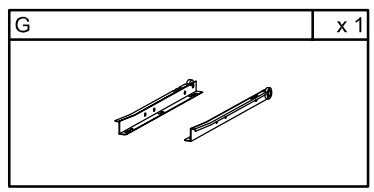
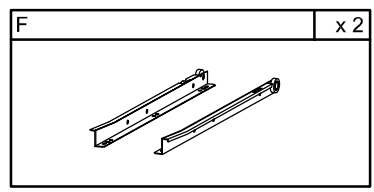


x 2

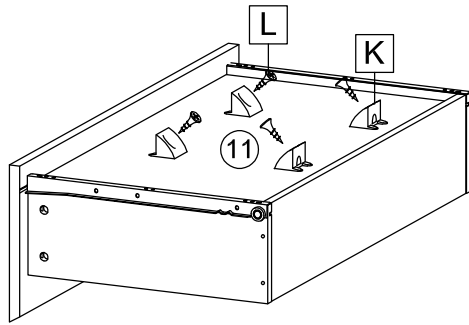
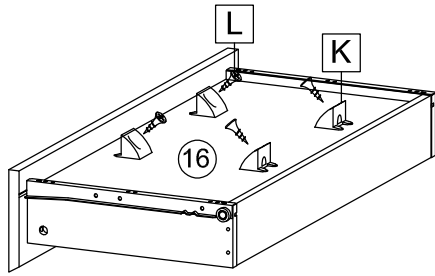
3



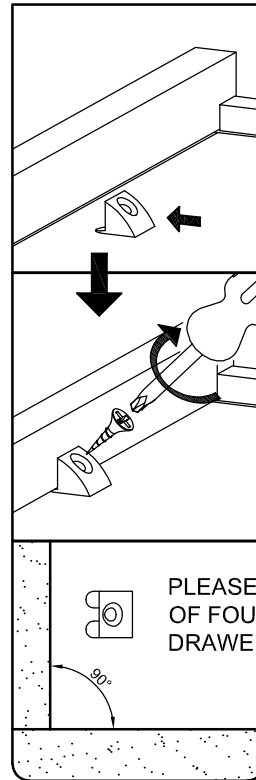
x 2



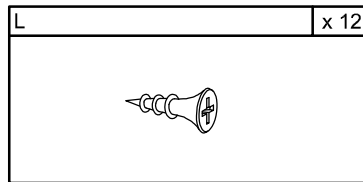
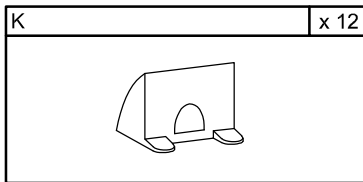
4



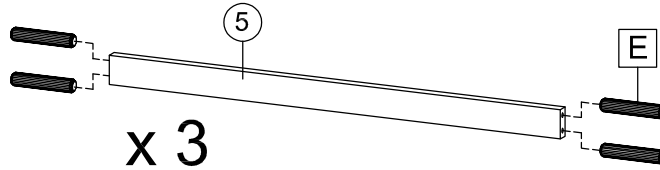
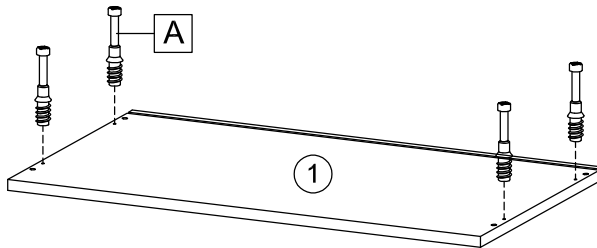
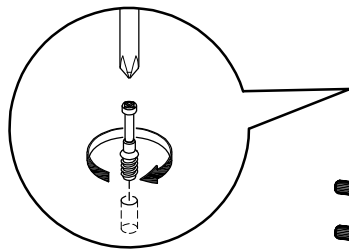
x 2



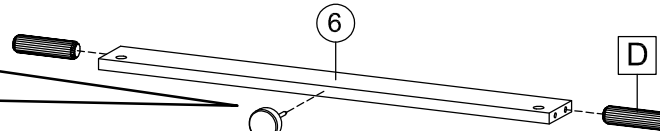
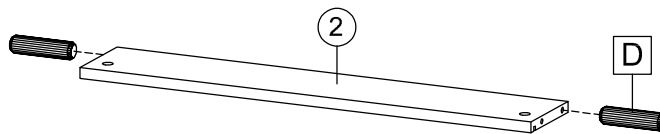
PLEASE ENSURE THAT EACH OF FOUR CORNERS OF THE DRAWER ARE SQUARE



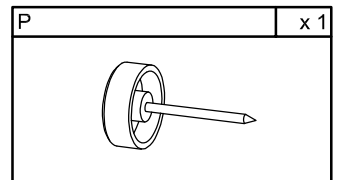
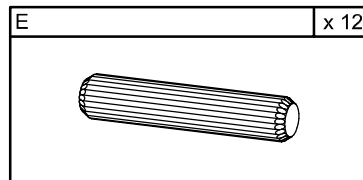
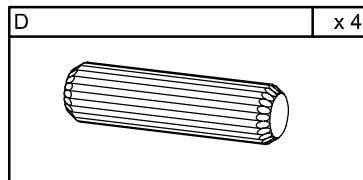
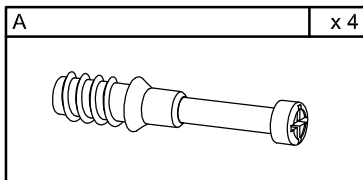
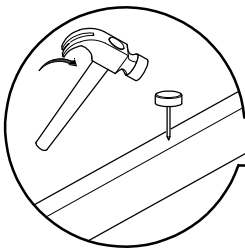
5



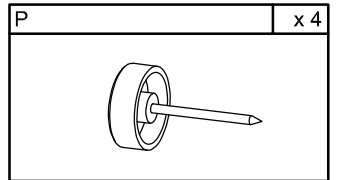
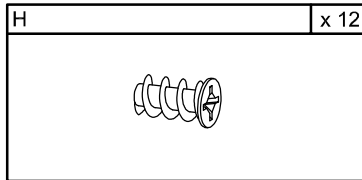
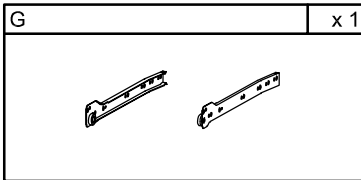
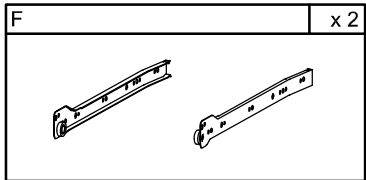
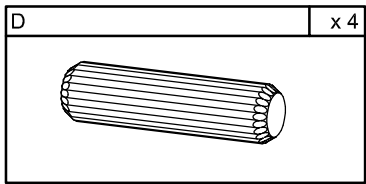
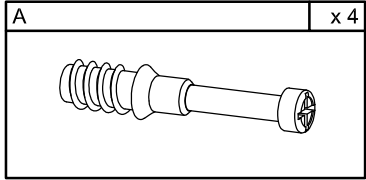
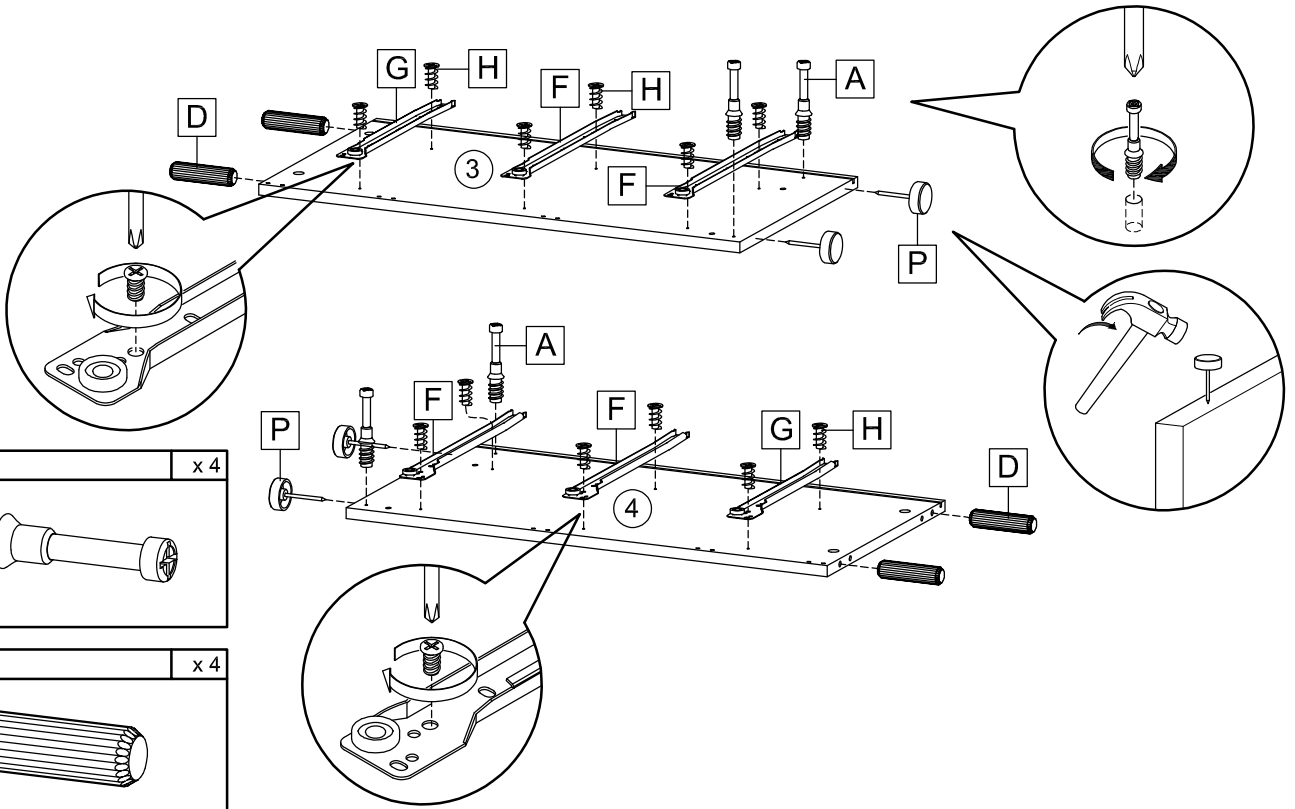
x 3



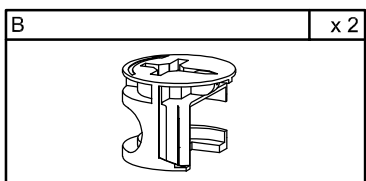
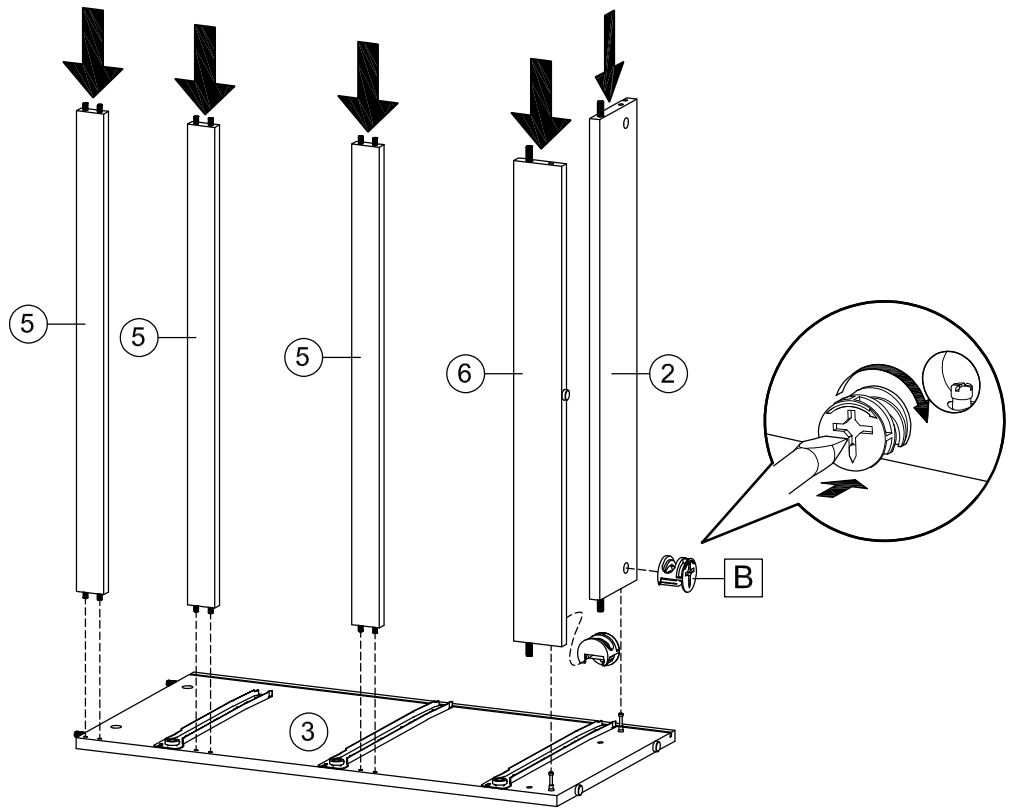
P



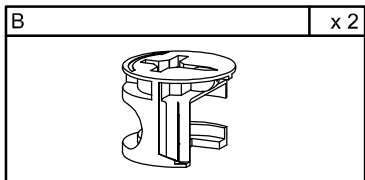
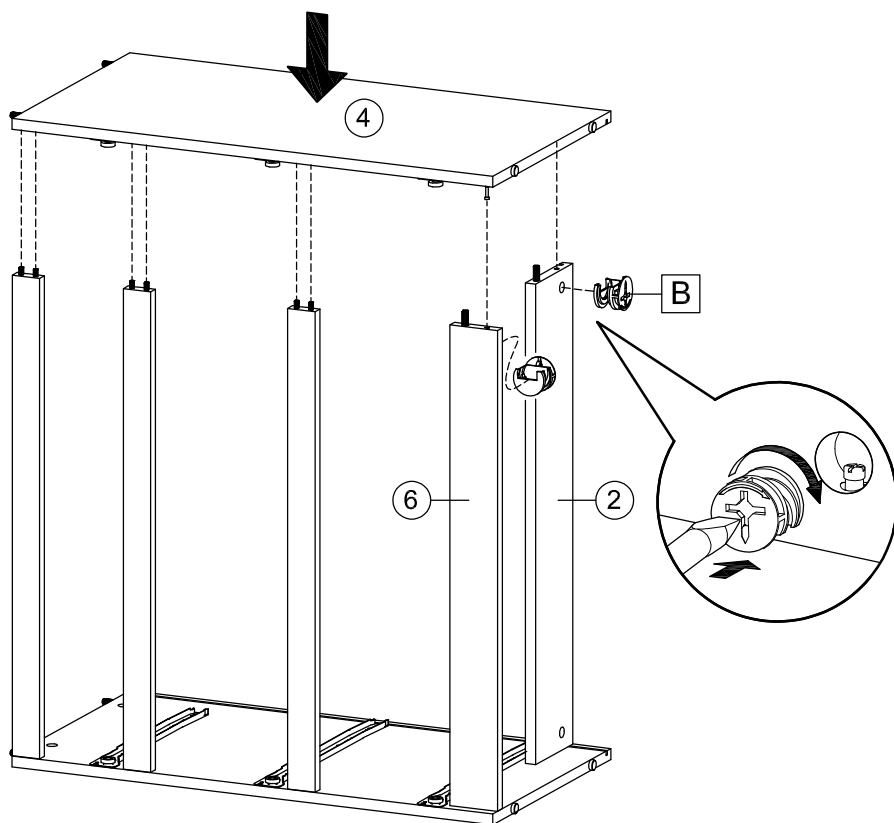
6



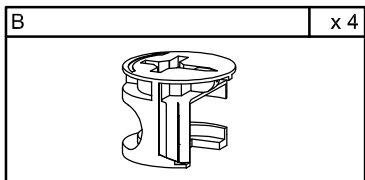
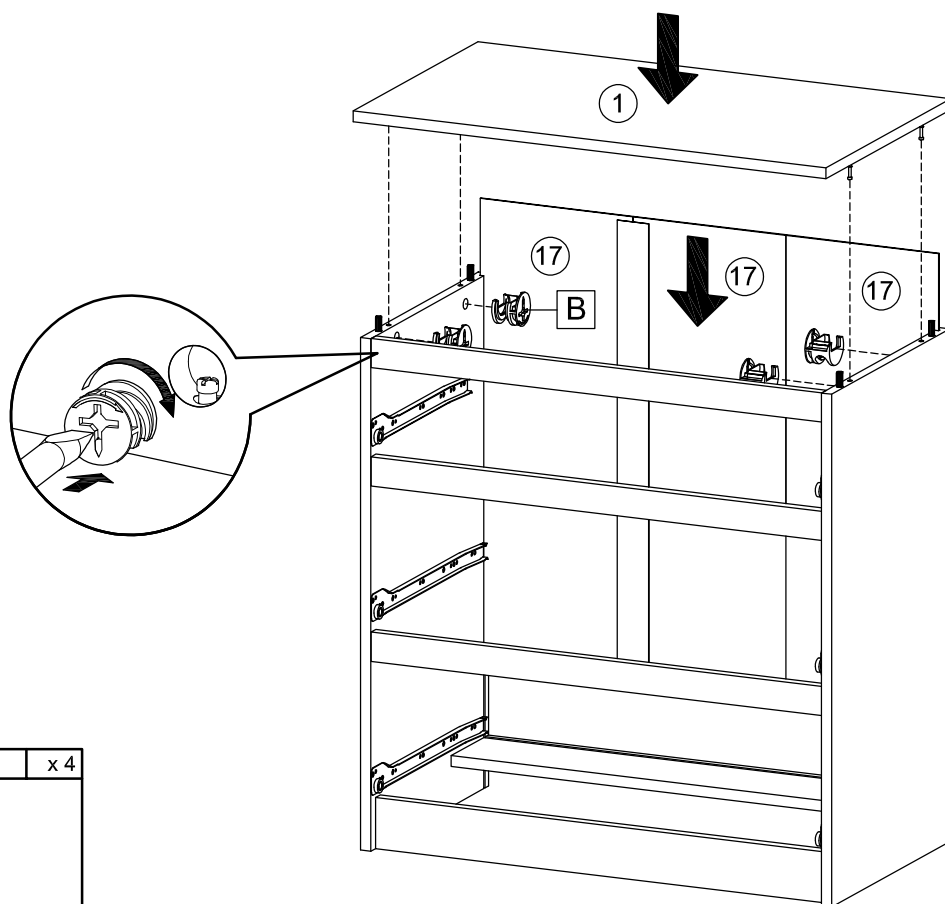
7



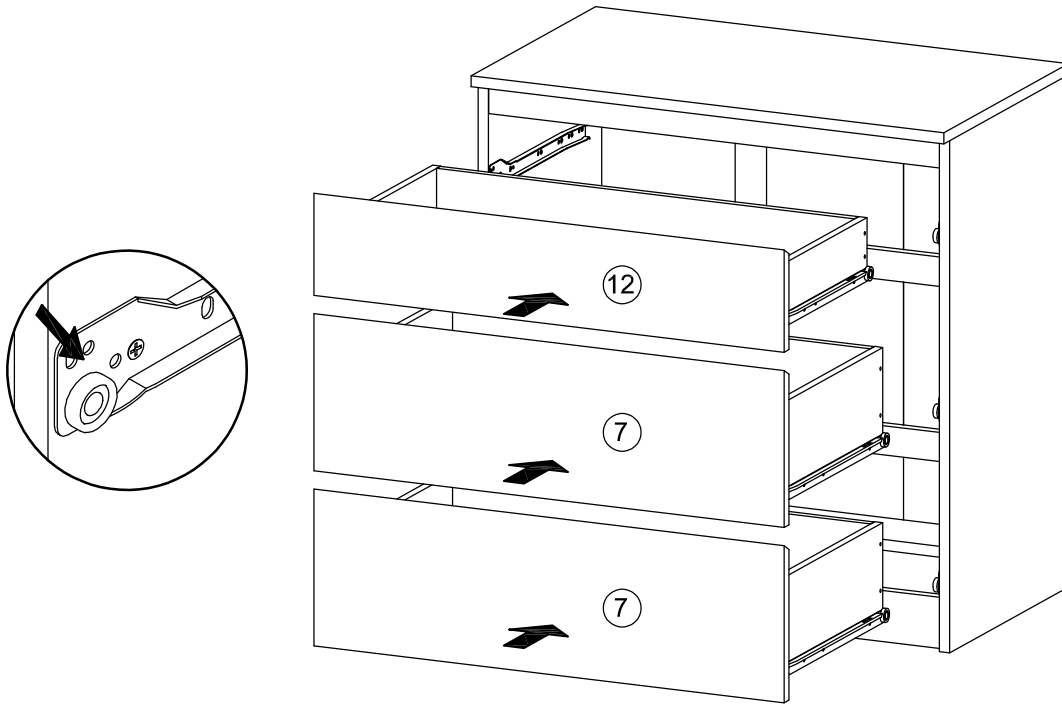
8



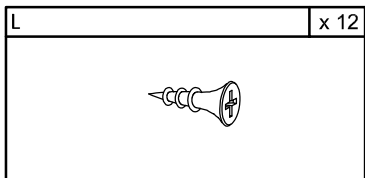
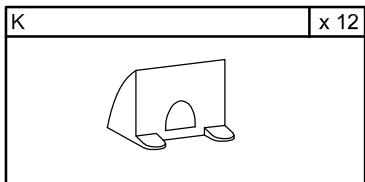
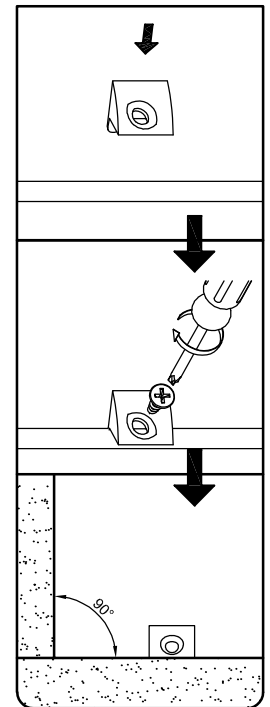
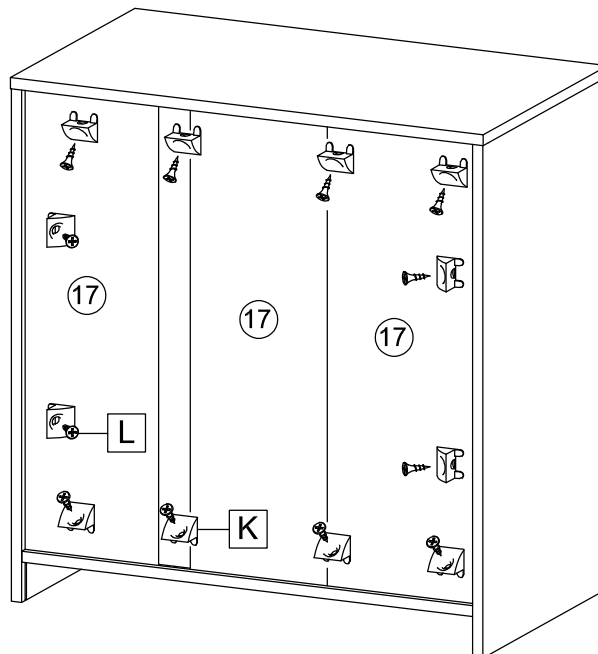
9



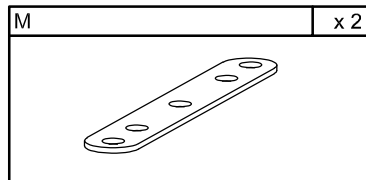
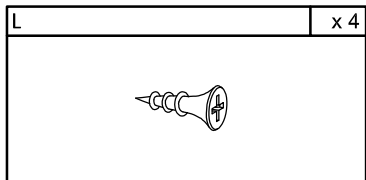
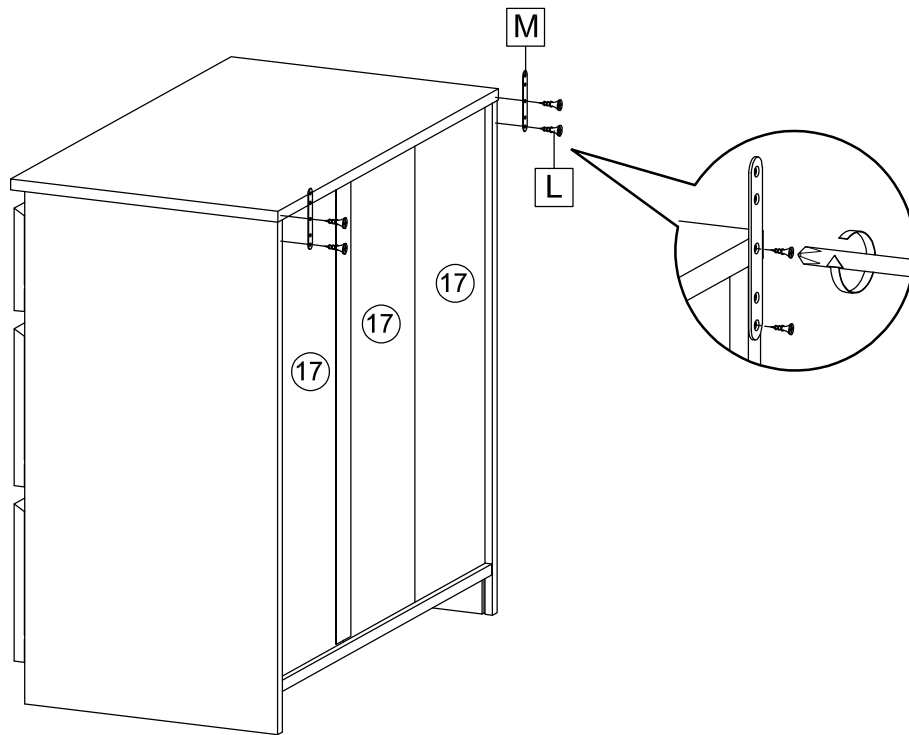
10



11



12



13

