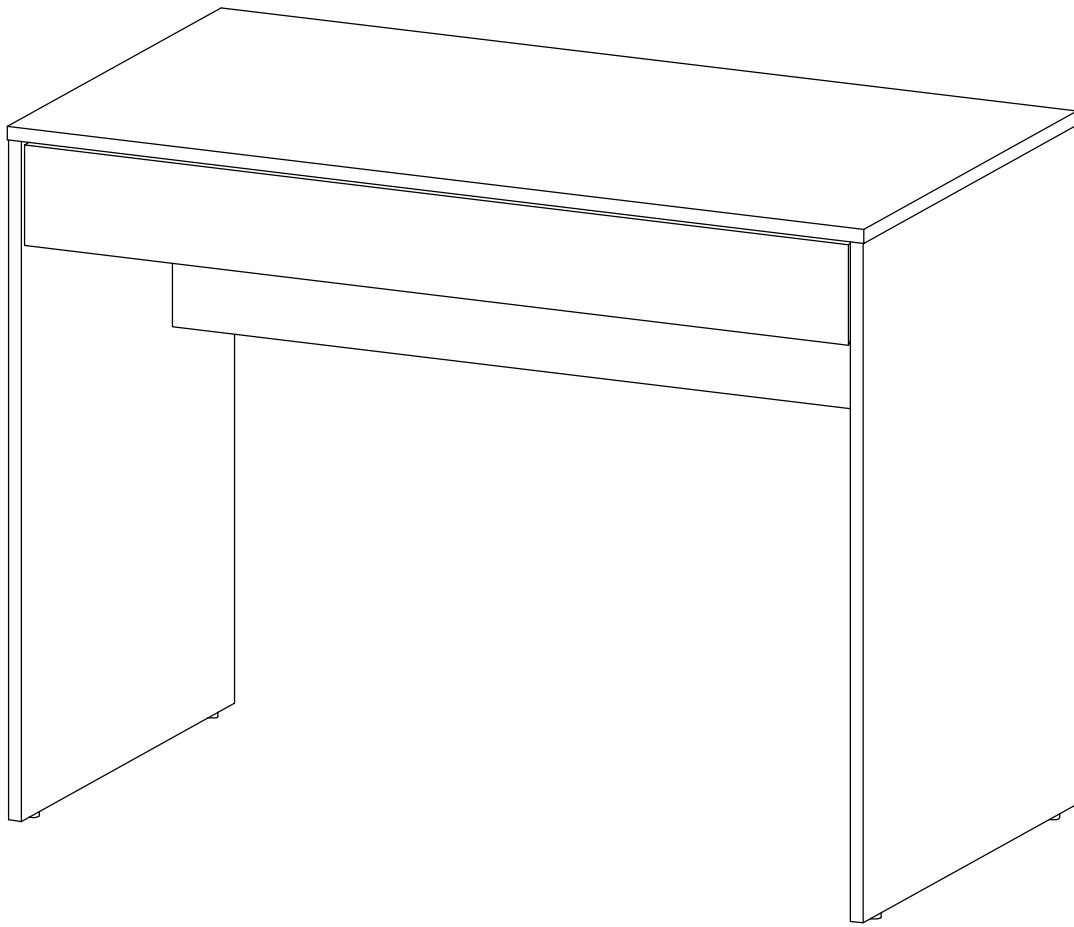
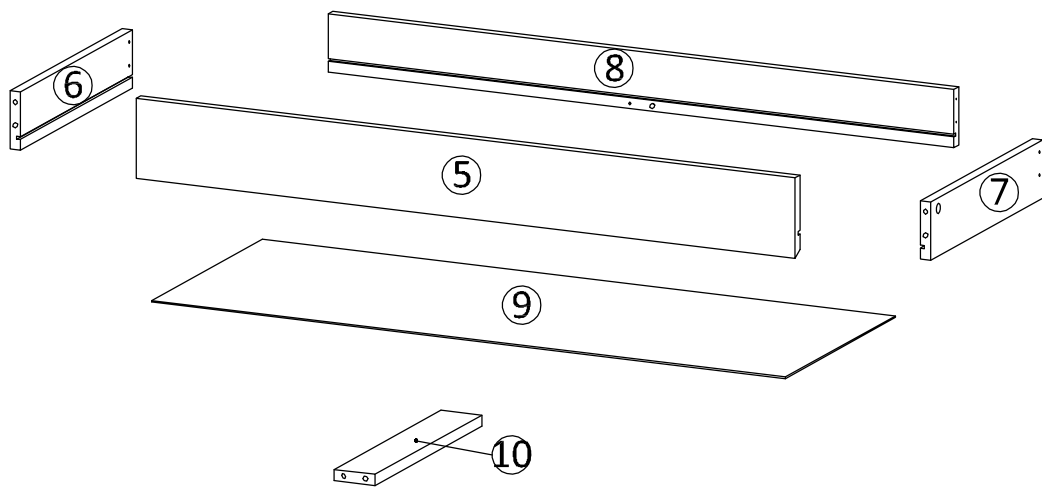
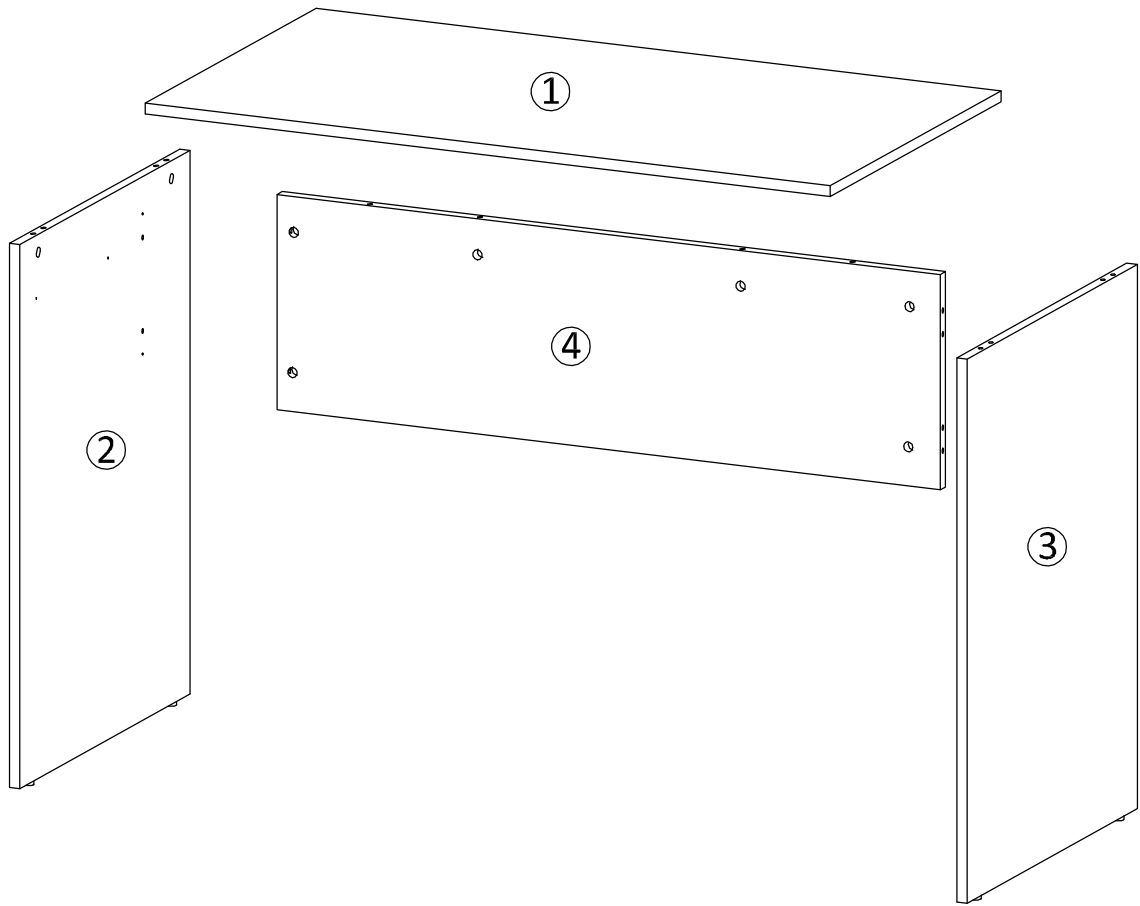
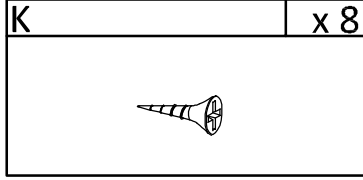
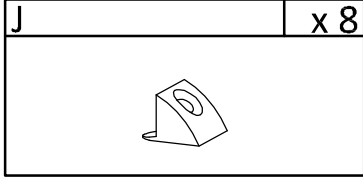
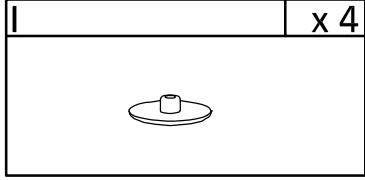
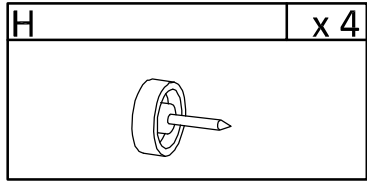
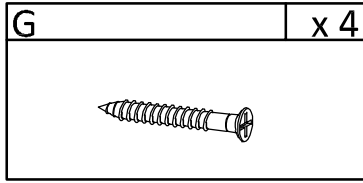
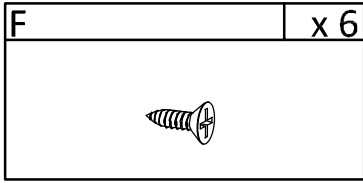
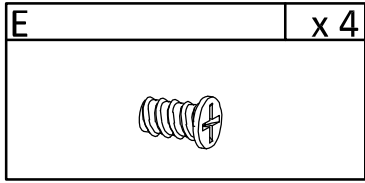
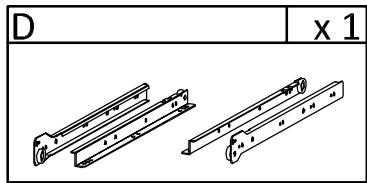
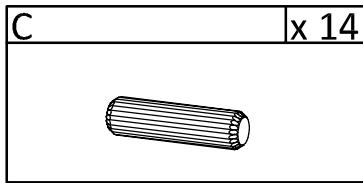
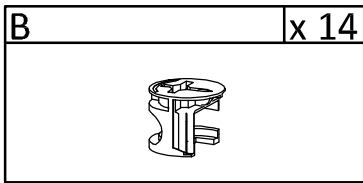
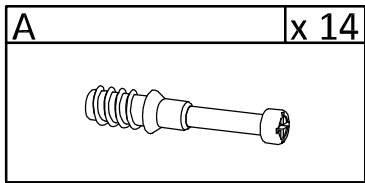


# MOKU DESK









Hardware

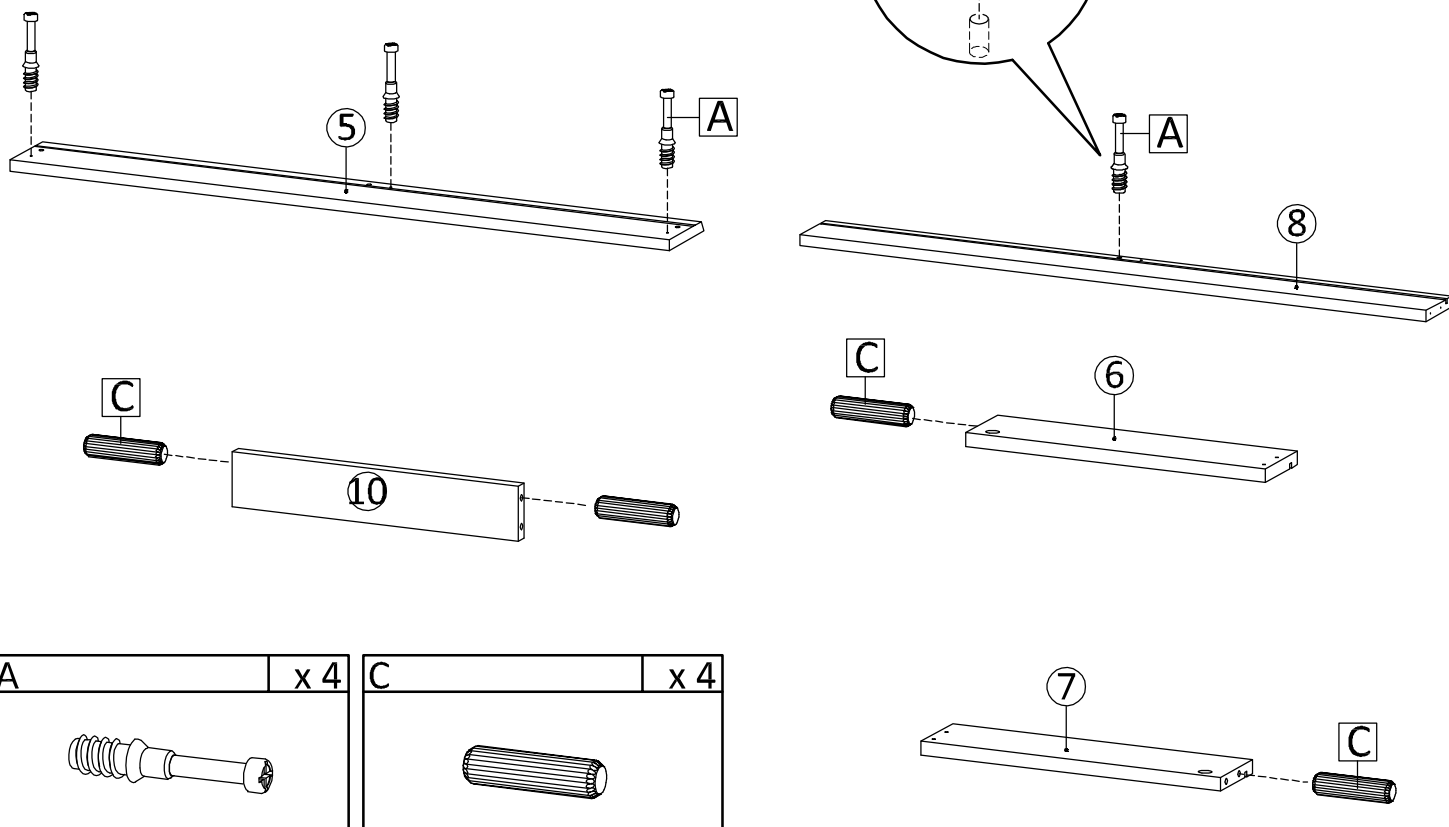


 SET-UP TIME : 60 MINUTES

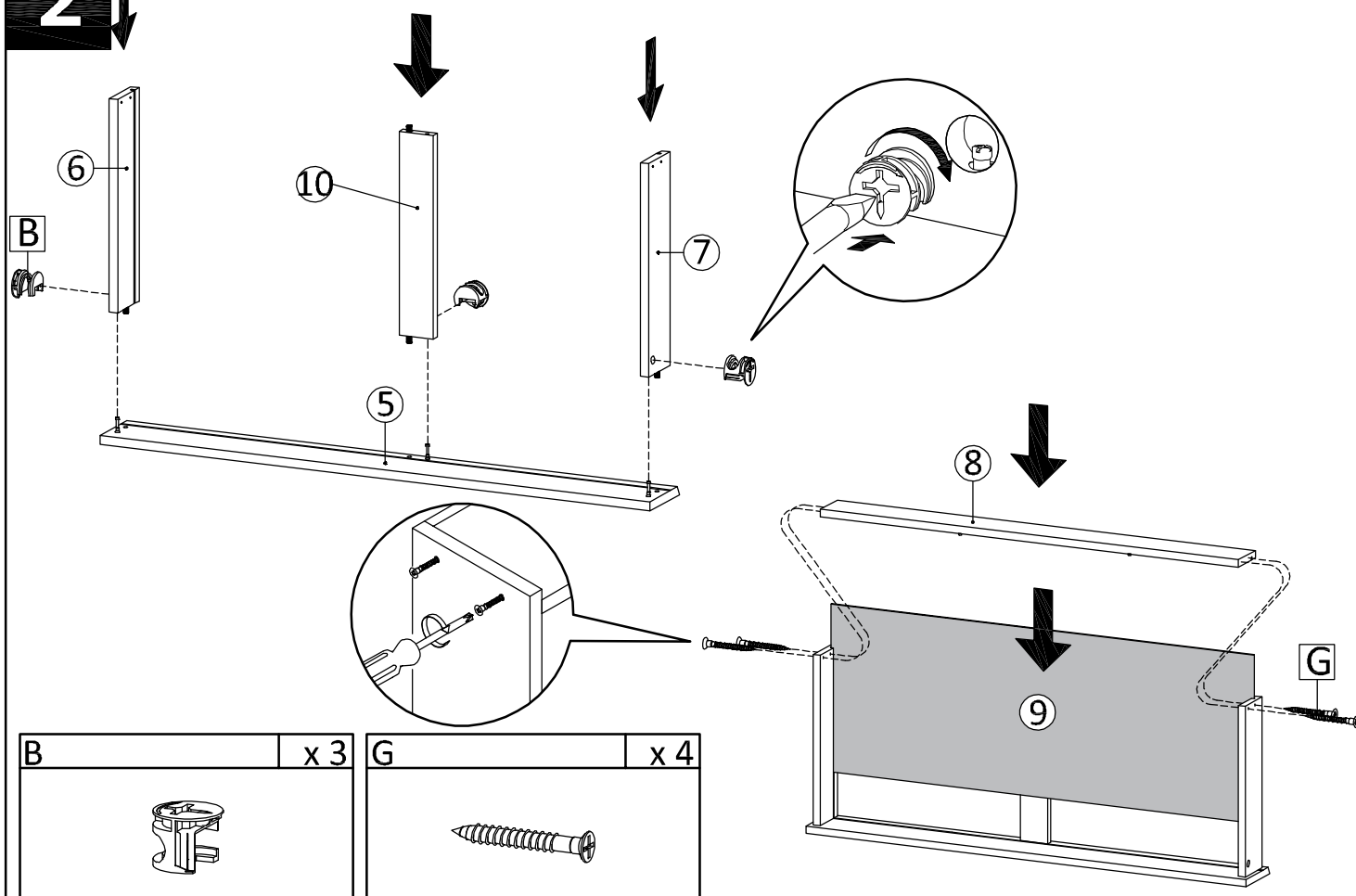
 NUMBER OF PERSONS : 02

 TOOLS :   

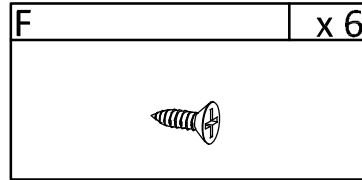
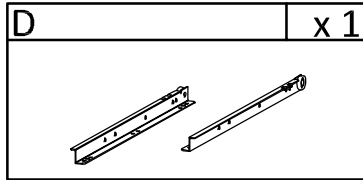
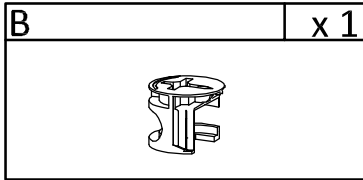
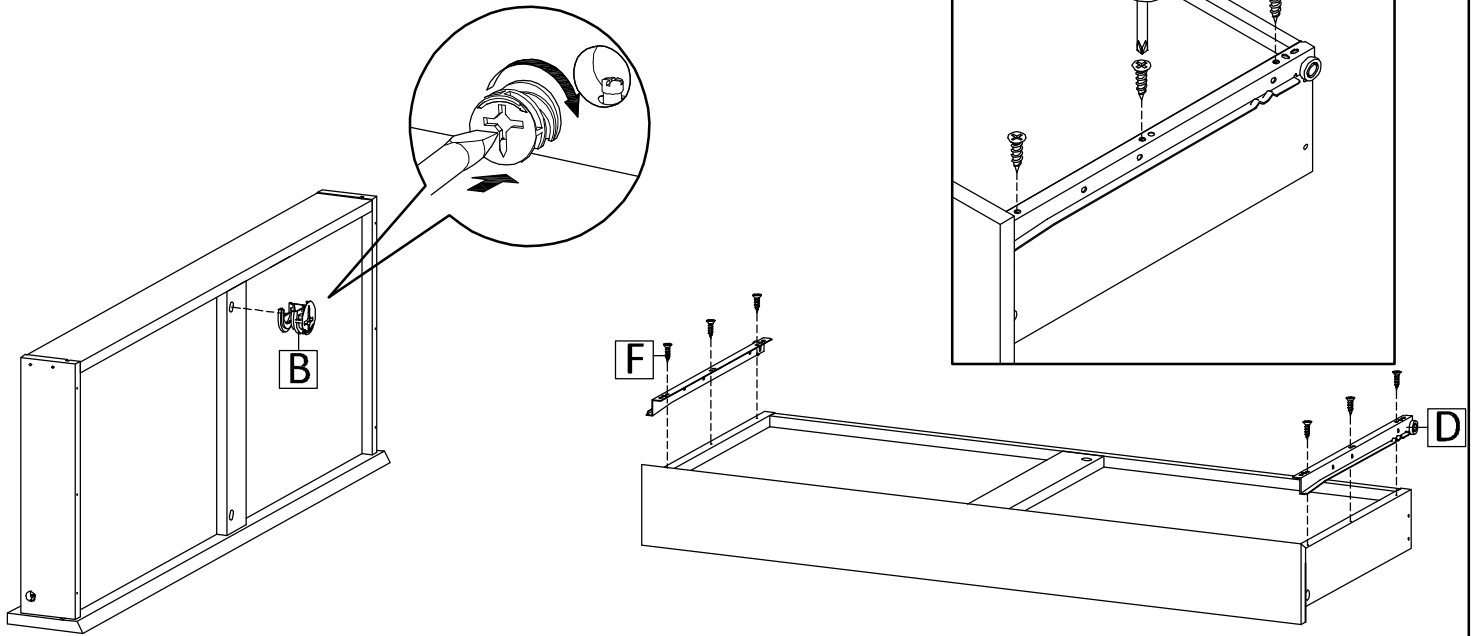
# 1



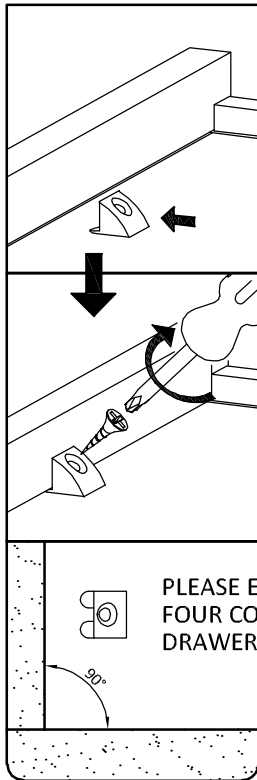
# 2



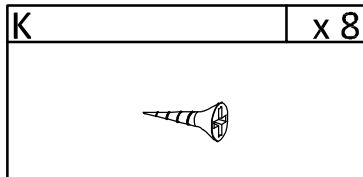
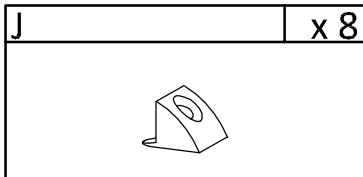
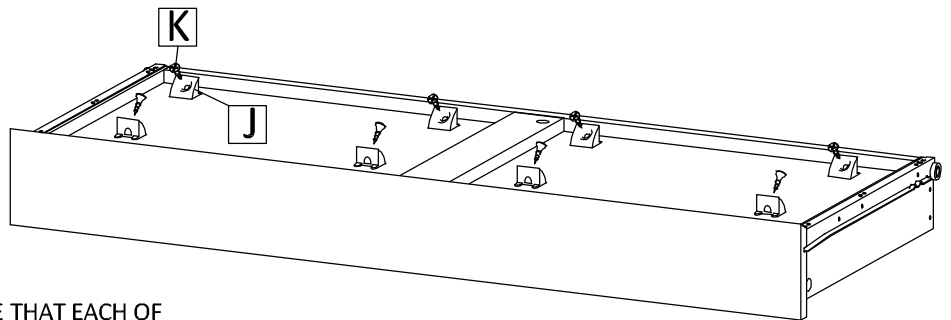
3



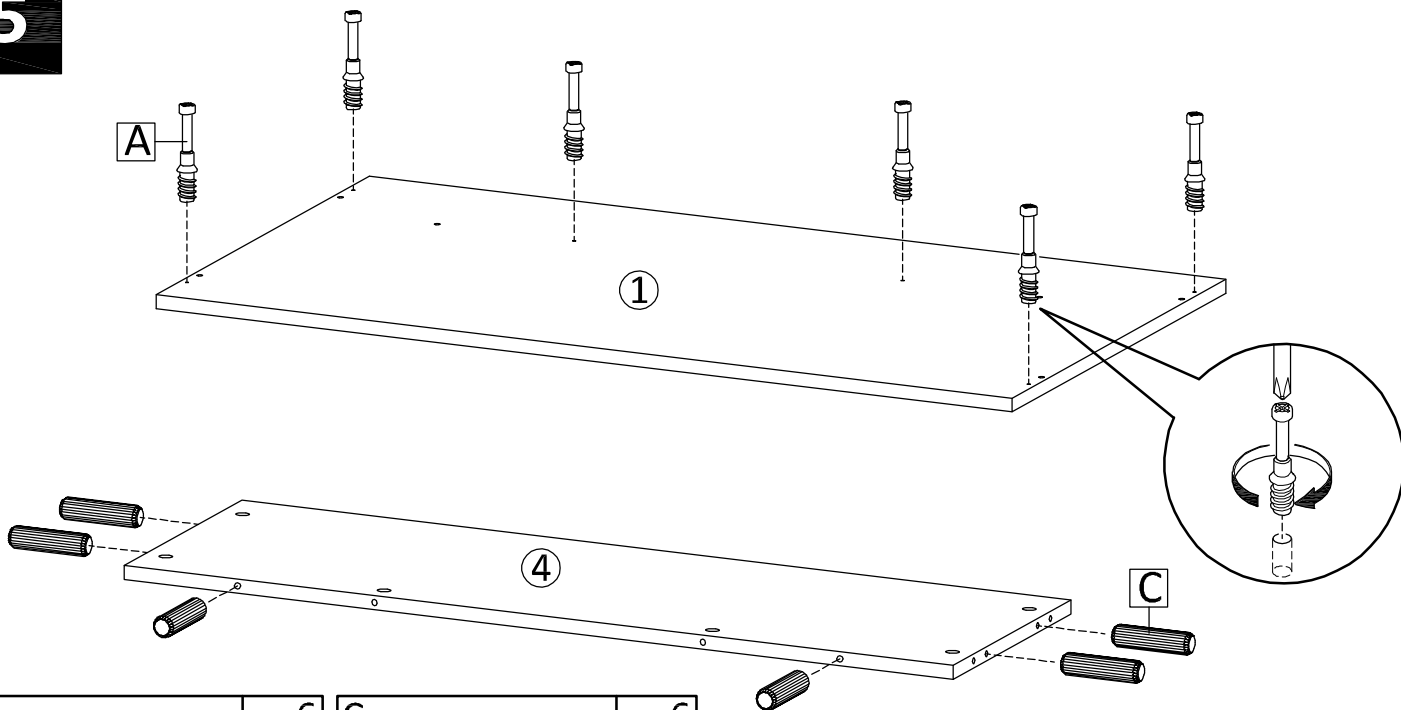
4

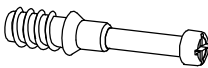



PLEASE ENSURE THAT EACH OF FOUR CORNERS OF THE DRAWER ARE SQUARE

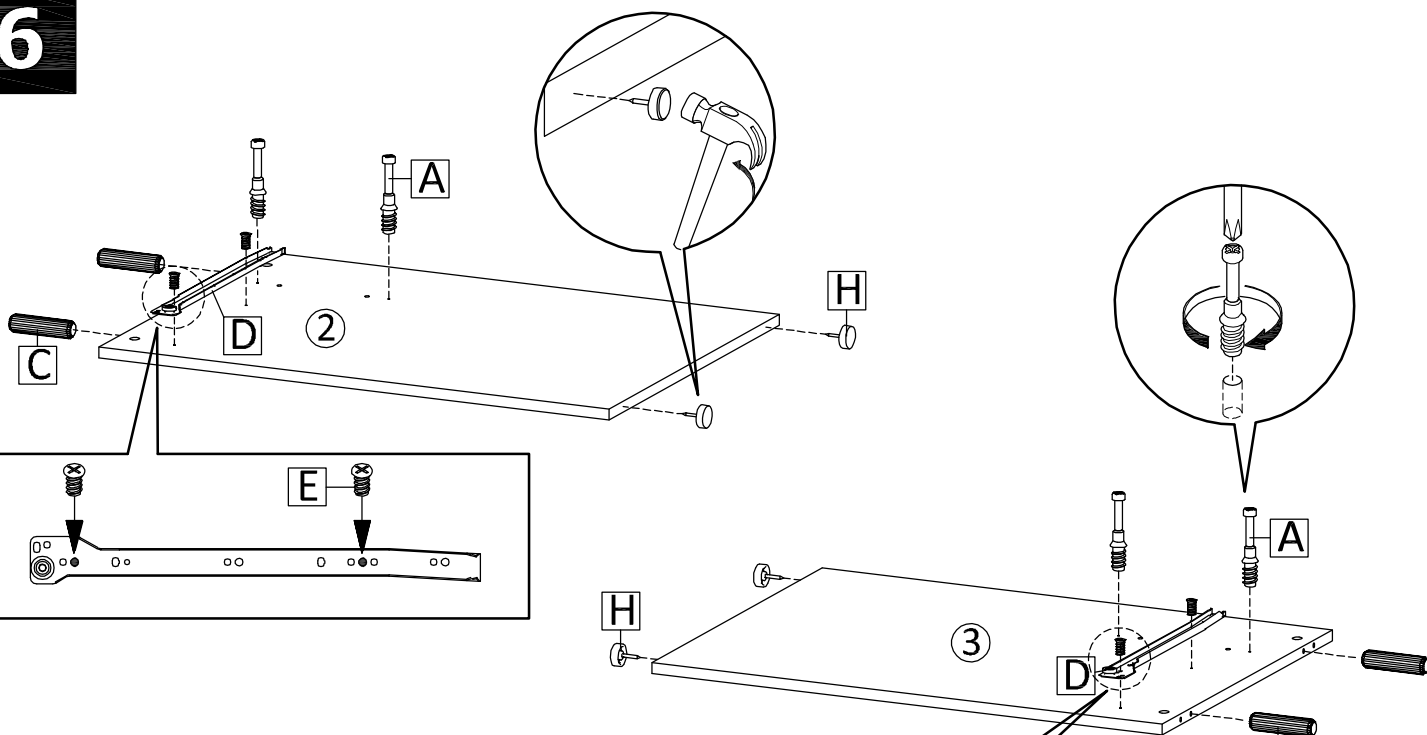


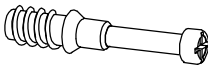
5

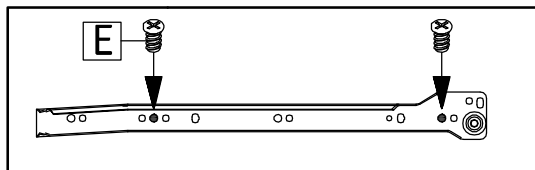


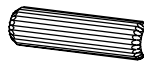
A	x 6	C	x 6
			

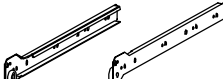
6

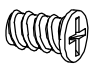


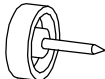
A	x 4
	



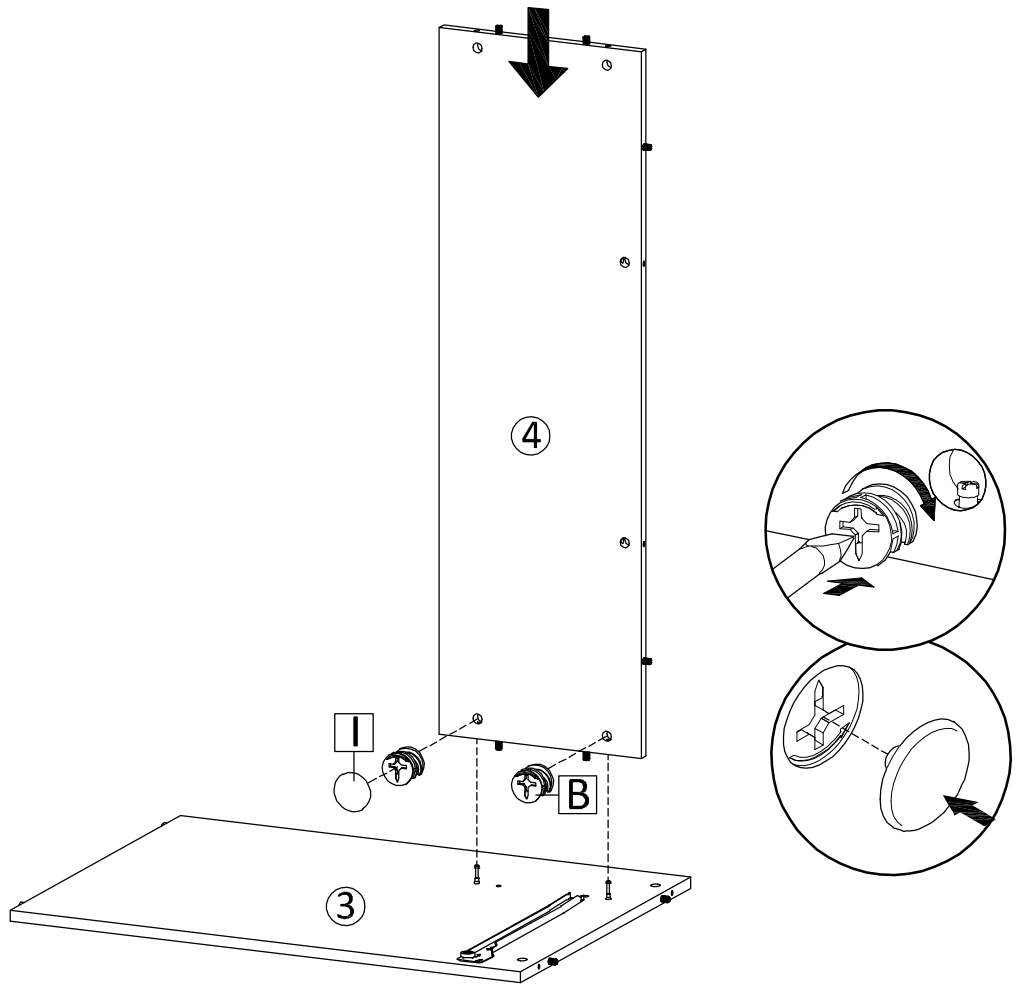
C	x 4
	



D	x 1
	

E	x 4
	

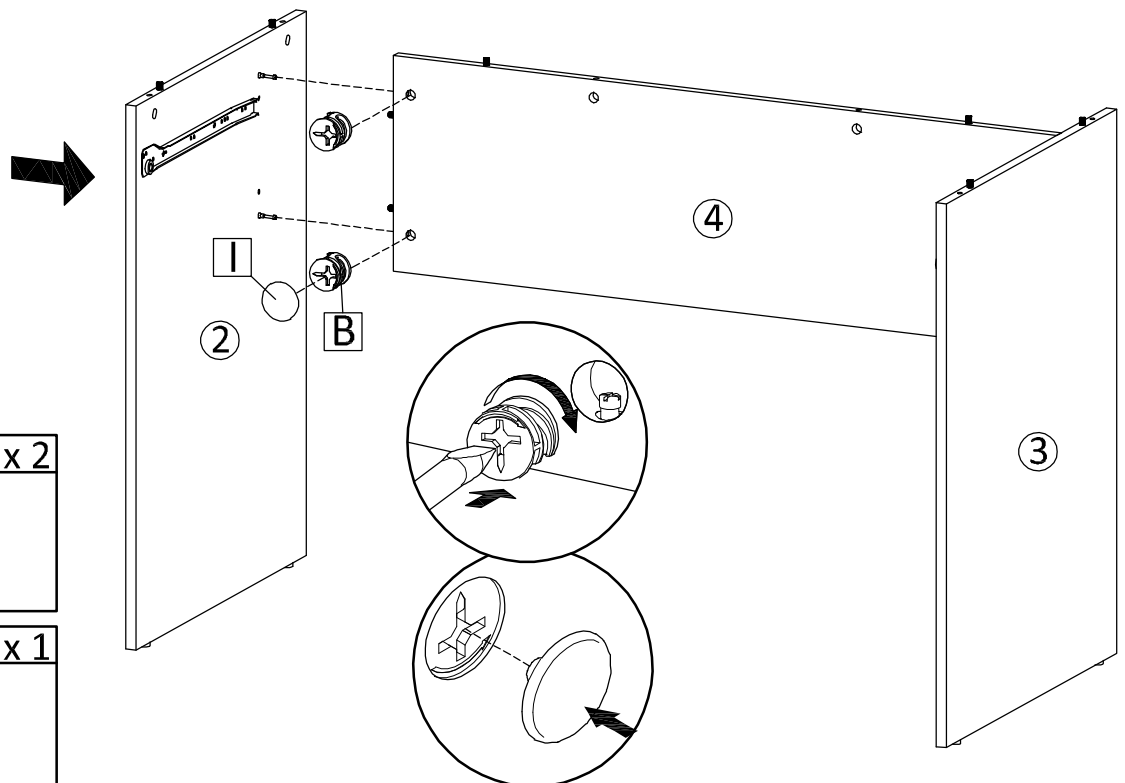
H	x 4
	



7



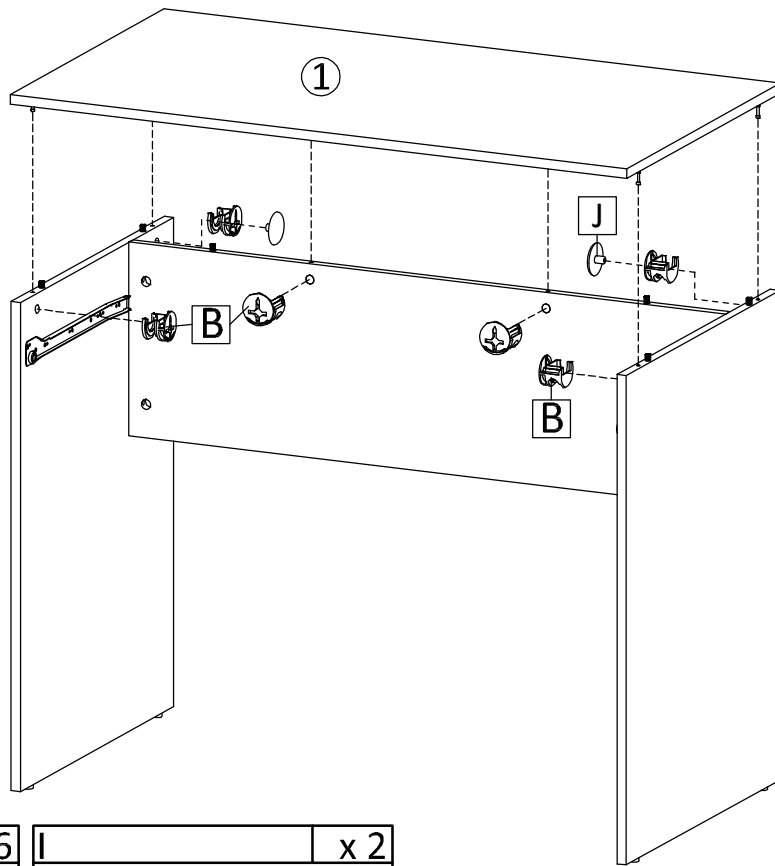
B	x 2
	
I	x 1
	

8



B	x 2
	
I	x 1
	

9



B	x 6	J	x 2

10

