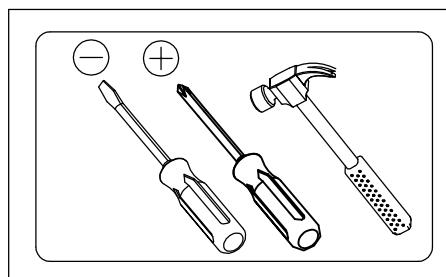
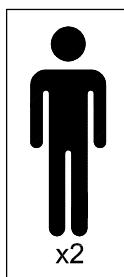
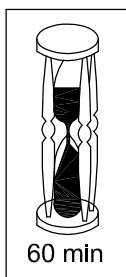
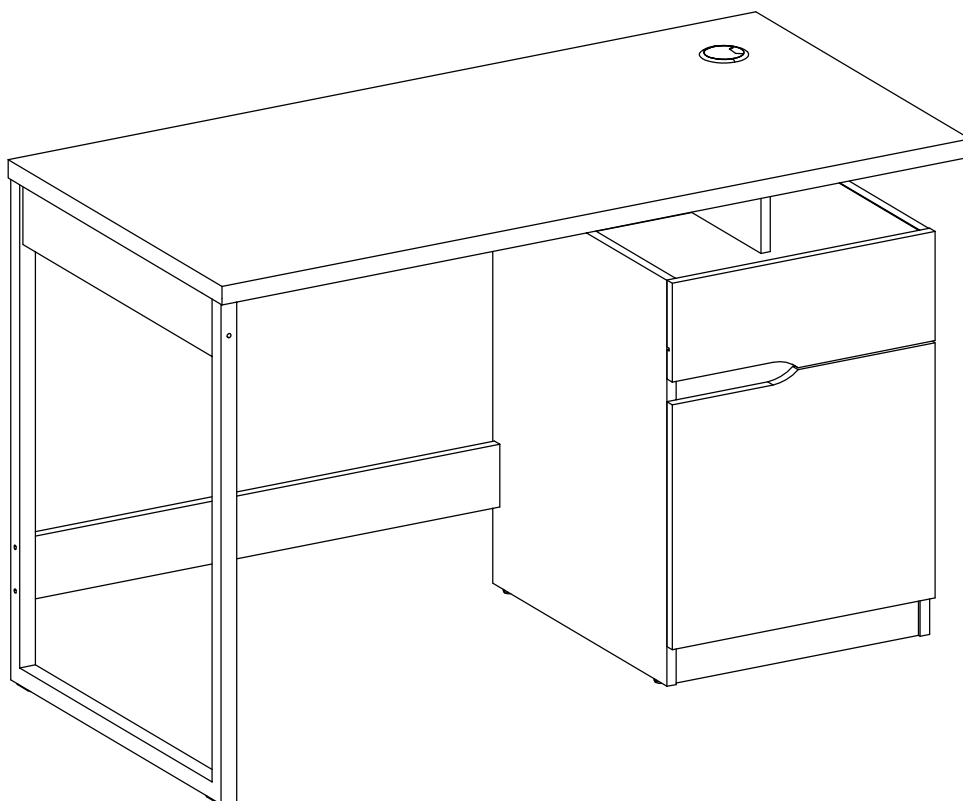
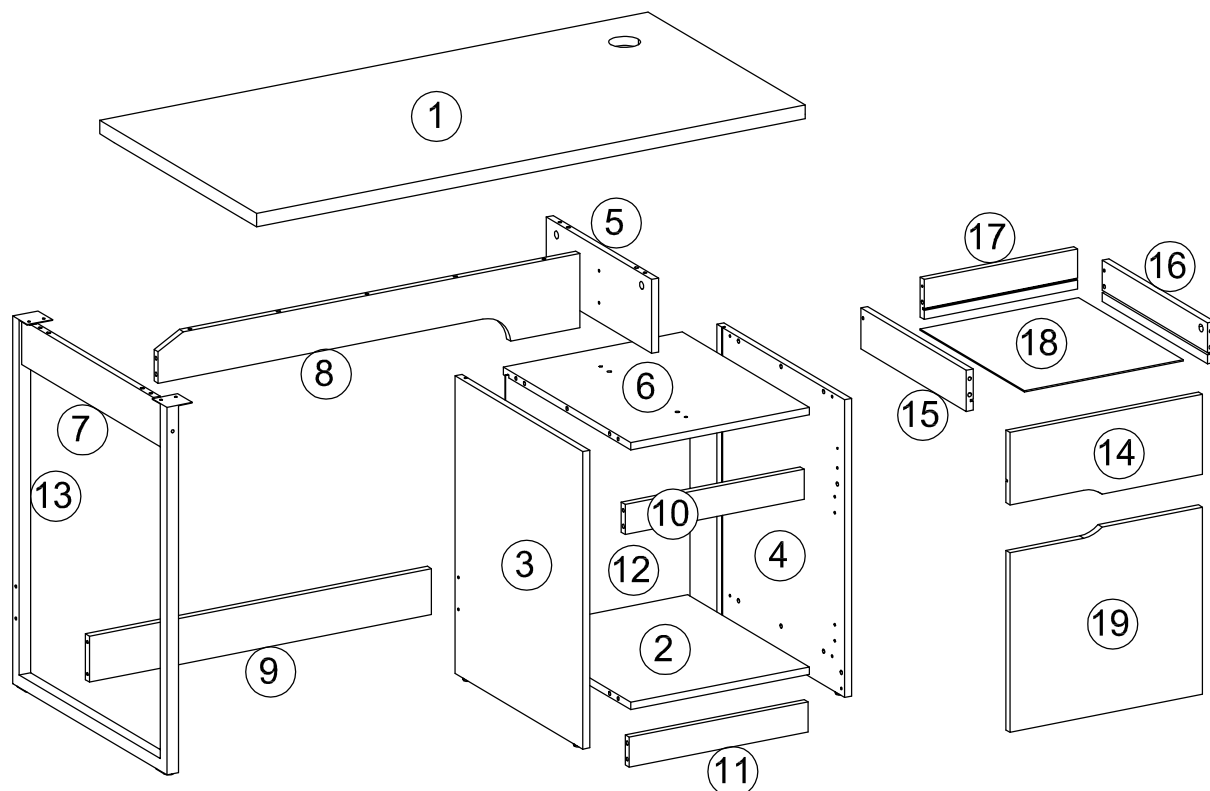



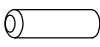

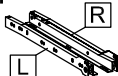
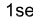


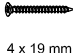


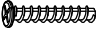
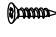


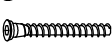



# LEXA DESK





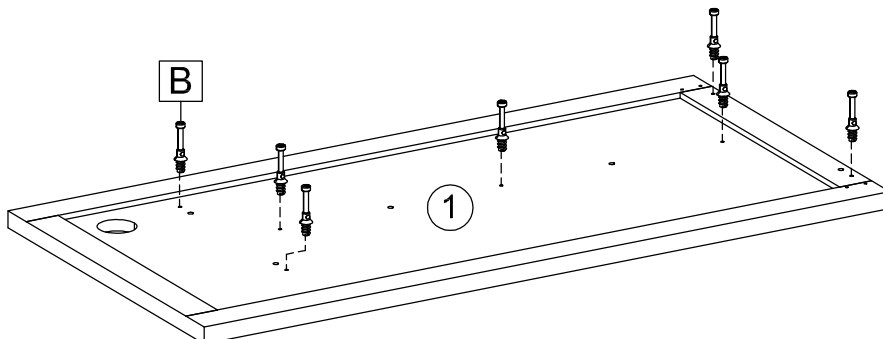
A	26X	B	26X	C	26X	D	29X	E	4X	F	1set	G	4X	H	8X	I	8X	J	8X
									6 x 8 mm						4 x 19 mm				6 x 8 mm
K	2X	L	4X	M	1X	N	2X	O	7X	P	1X								
	10 x 33.5 mm		6 x 13 mm						6.3 x 50 mm										

1

B



7x



2

A

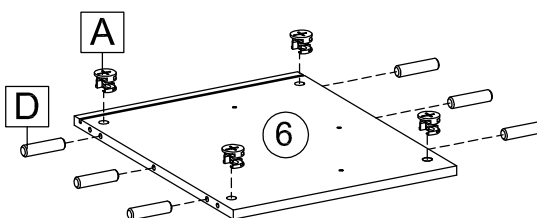
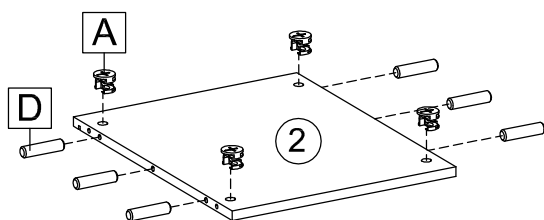


8x



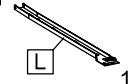

D

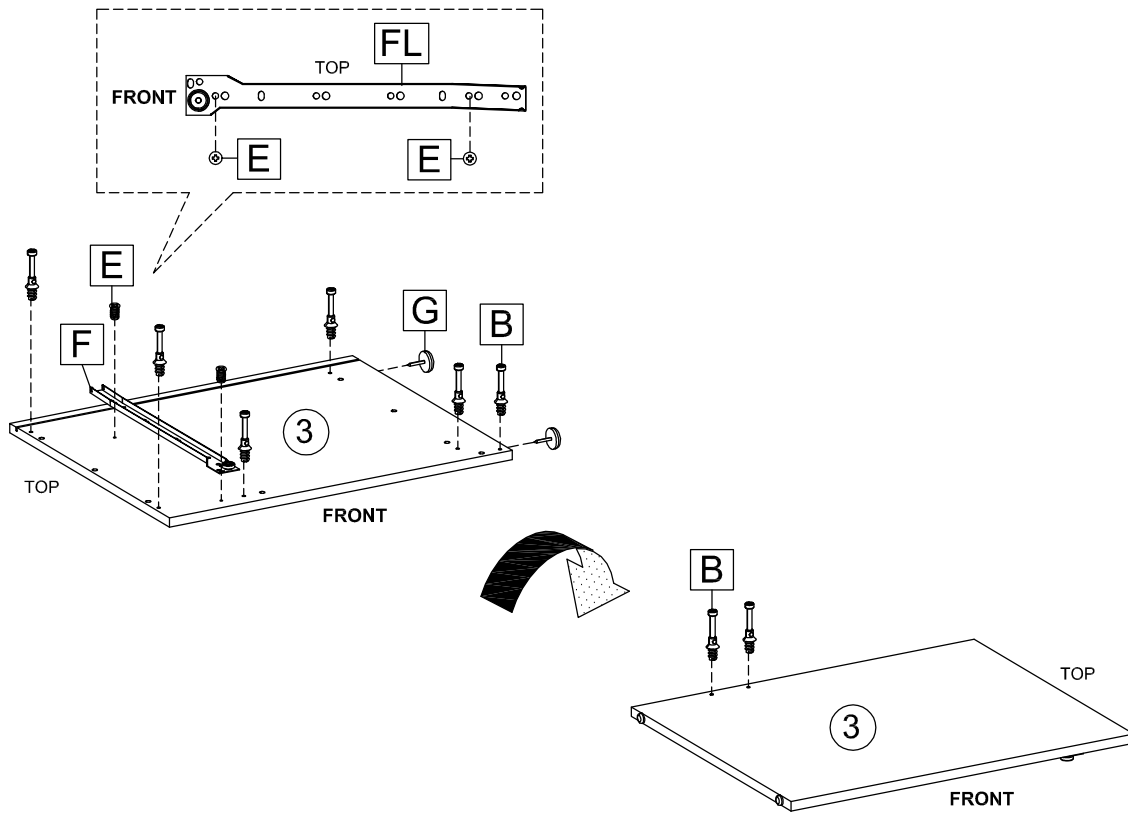


12x



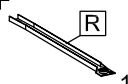



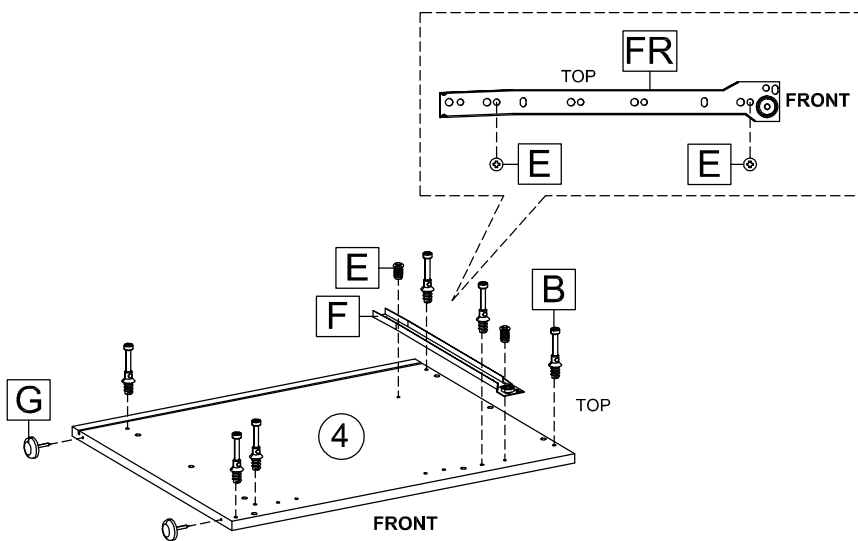
**3**

- |   |   |   |   |
|---|---|---|---|
| <b>B</b><br><br>7x | <b>E</b><br><br>2x | <b>F</b><br><br>1x | <b>G</b><br><br>2x |
|---|---|---|---|



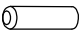


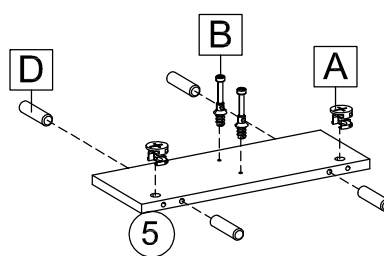
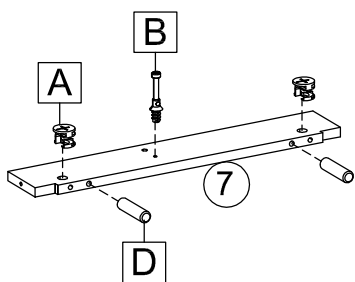
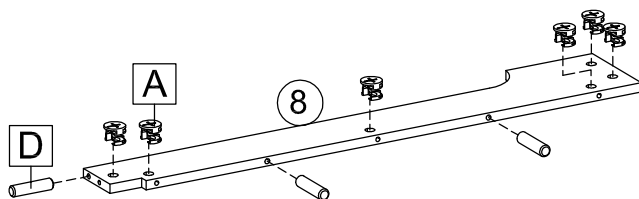
**4**

- |   |   |   |   |
|---|---|---|---|
| <b>B</b><br><br>5x | <b>E</b><br><br>2x | <b>F</b><br><br>1x | <b>G</b><br><br>2x |
|---|---|---|---|


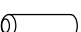


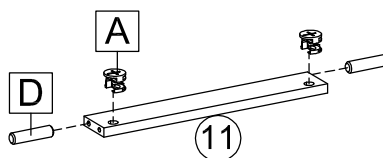
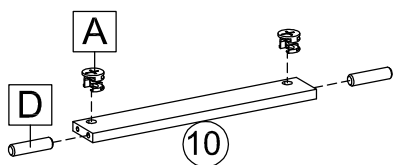
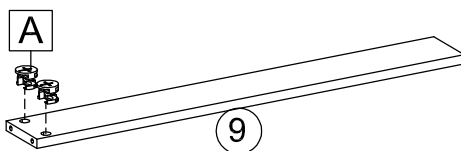
5

<p><b>A</b></p>  <p>10x</p>	<p><b>B</b></p>  <p>3x</p>	<p><b>D</b></p>  <p>9x</p>
--	---	---



6

<p><b>A</b></p>  <p>6x</p>	<p><b>D</b></p>  <p>4x</p>
---	---

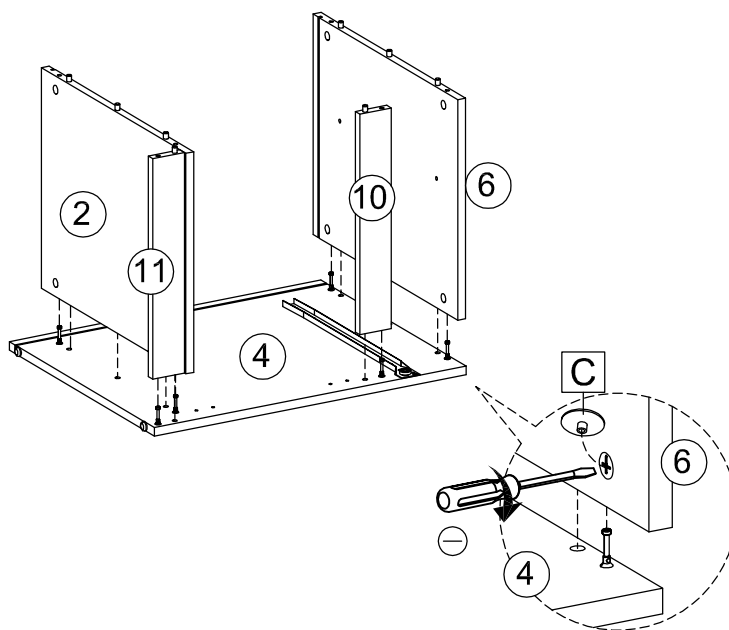


7

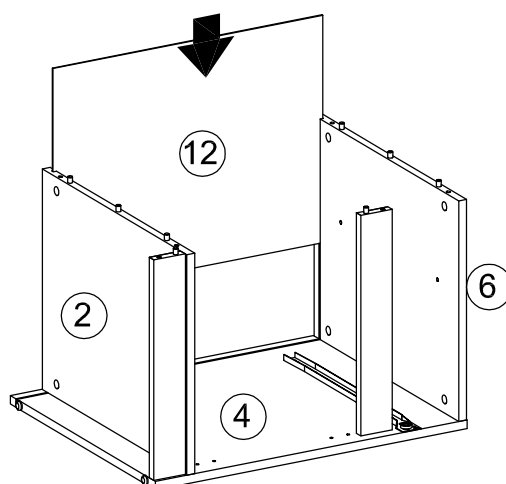
C



6x



8

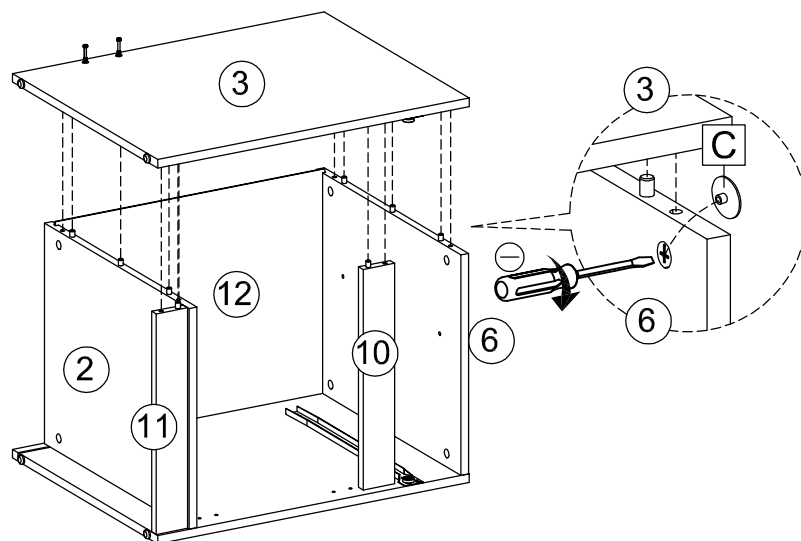


9

C



6x



10

H

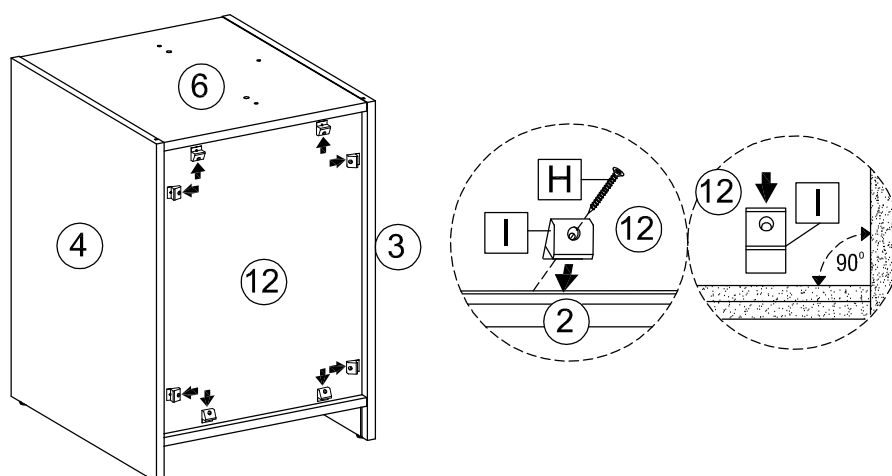


8x

I



8x

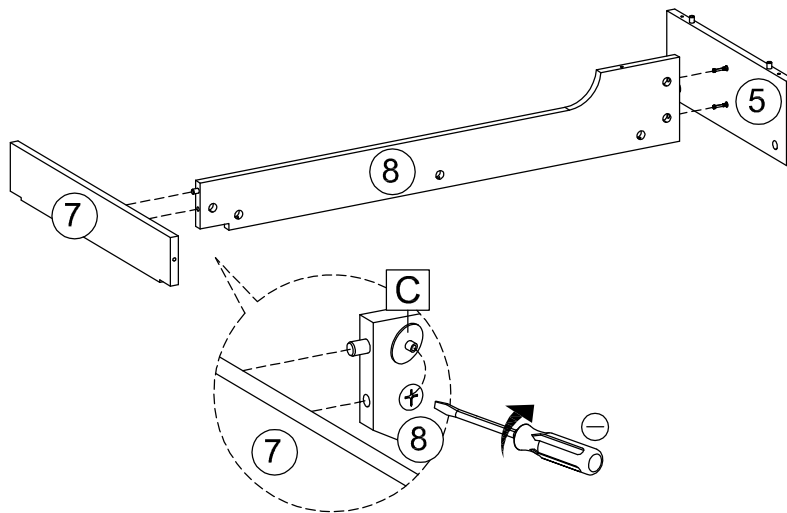


11

C



2x

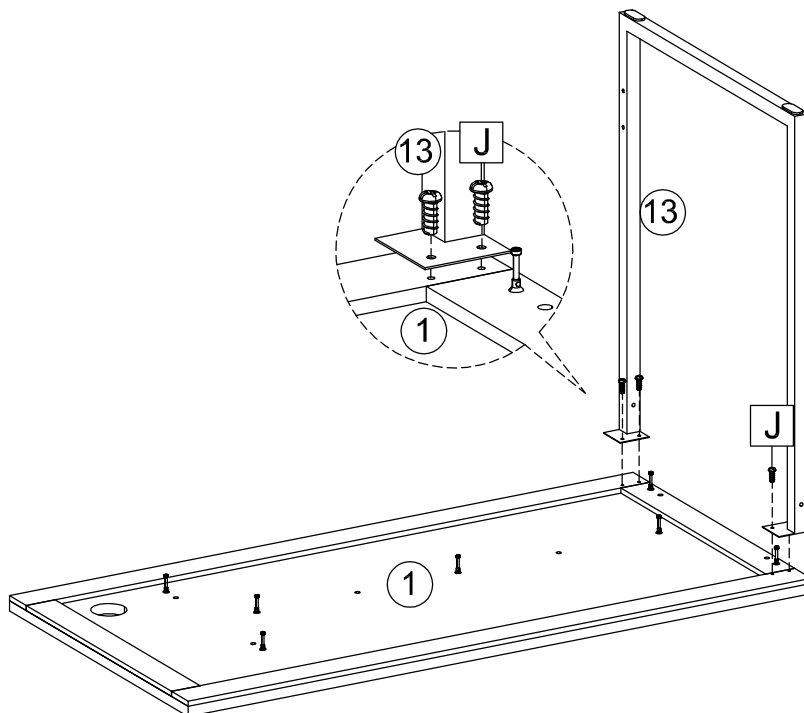


12

J

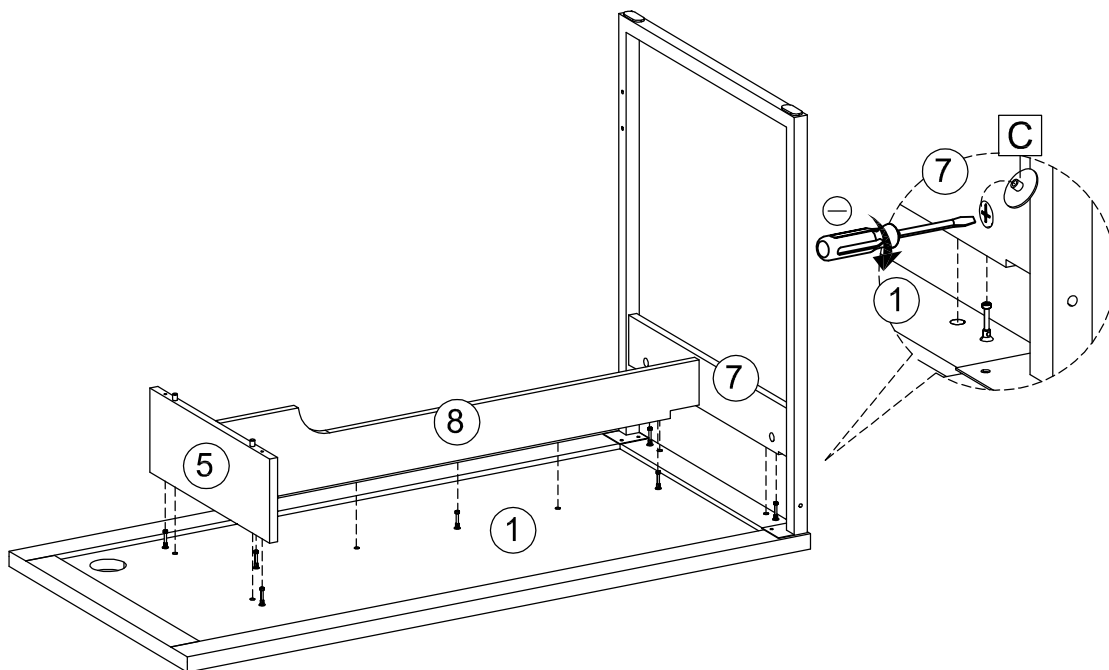
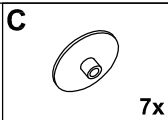


4x

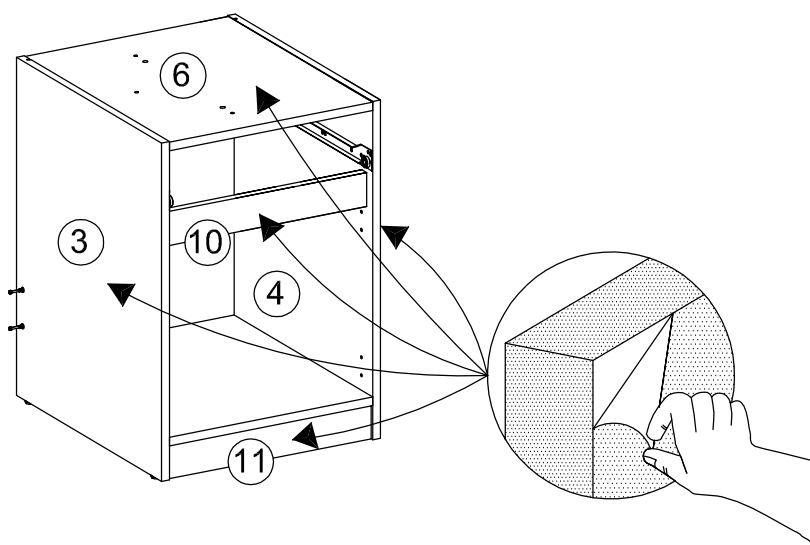




13



14

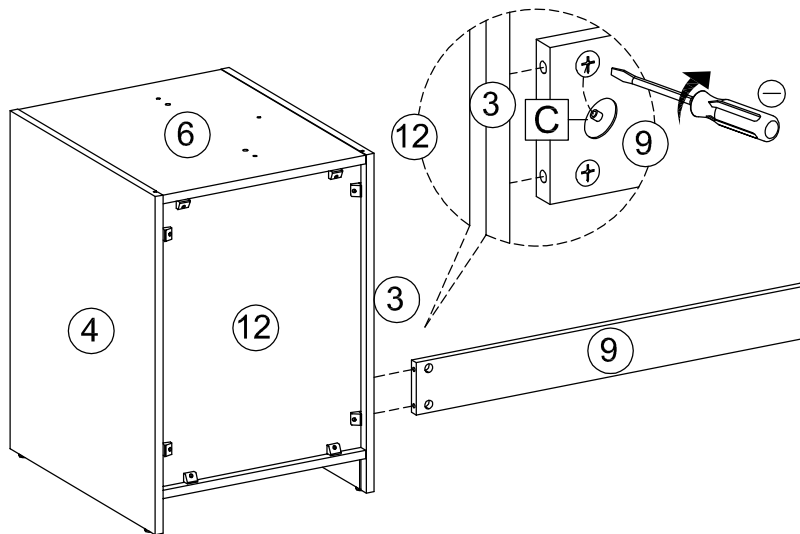


15

C

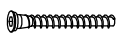


2x



16

O

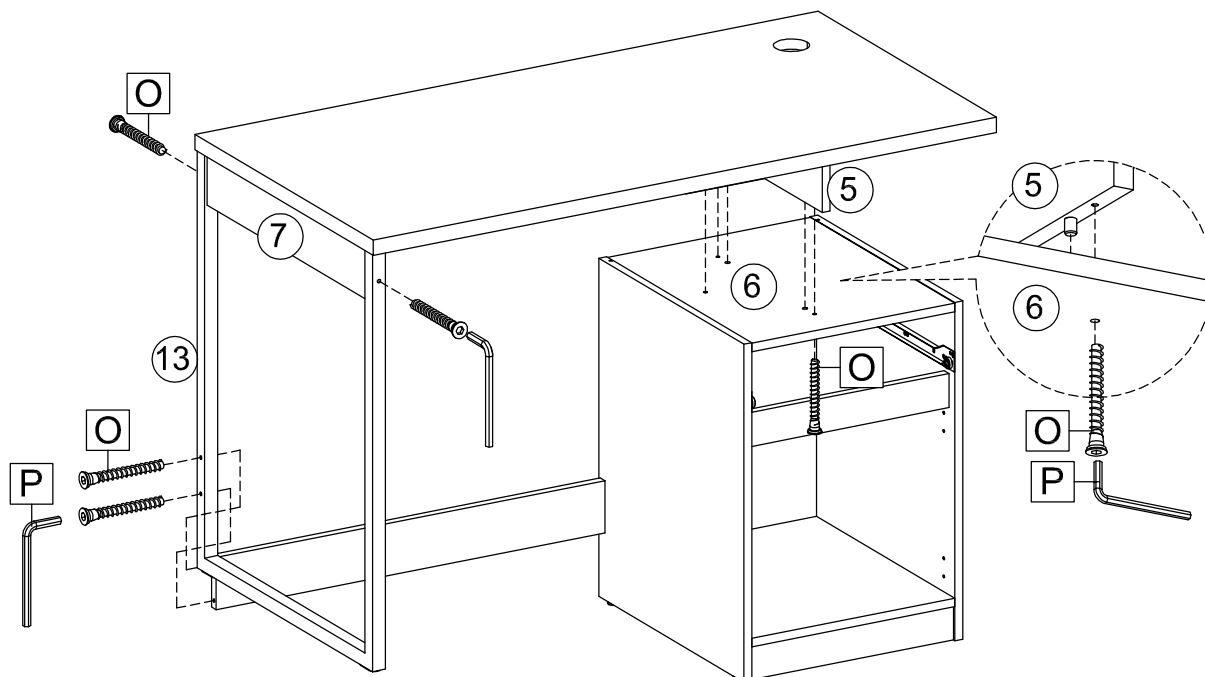


7



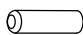
P

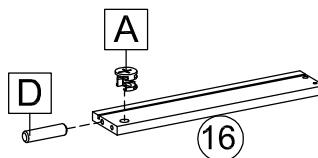
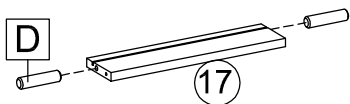
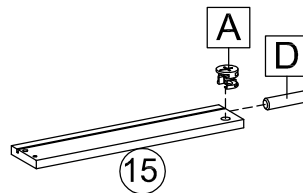
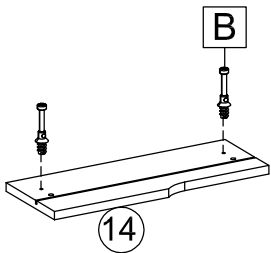


1x

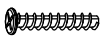


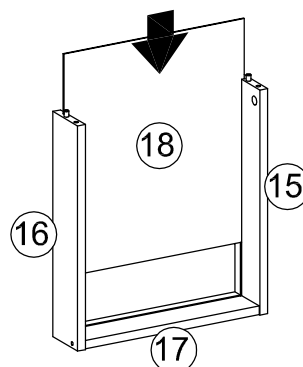
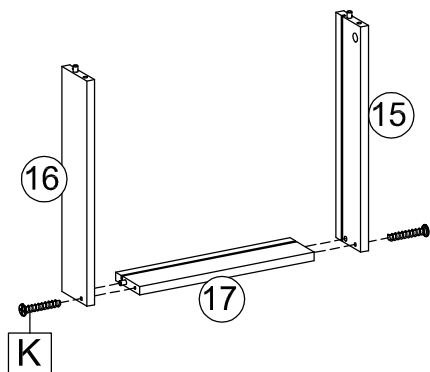
17

<p><b>A</b></p>  <p>2x</p>	<p><b>B</b></p>  <p>2x</p>	<p><b>D</b></p>  <p>4x</p>
---	--	---

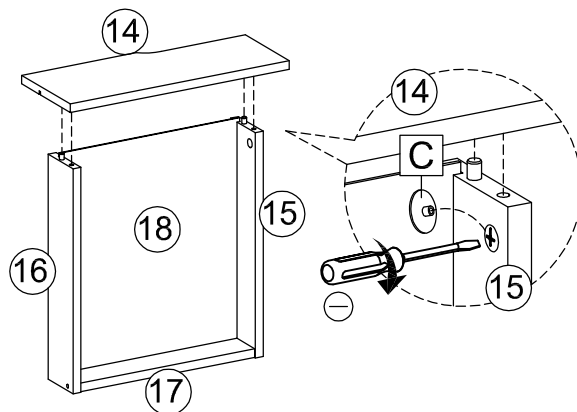
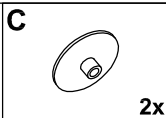


18

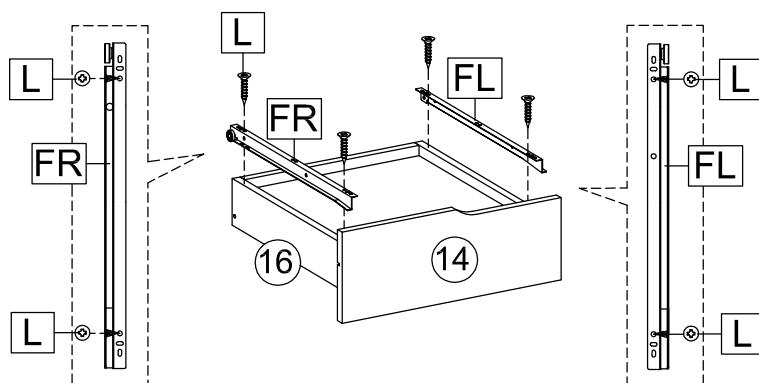
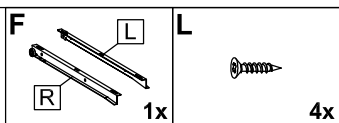
<p><b>K</b></p>  <p>2x</p>
---



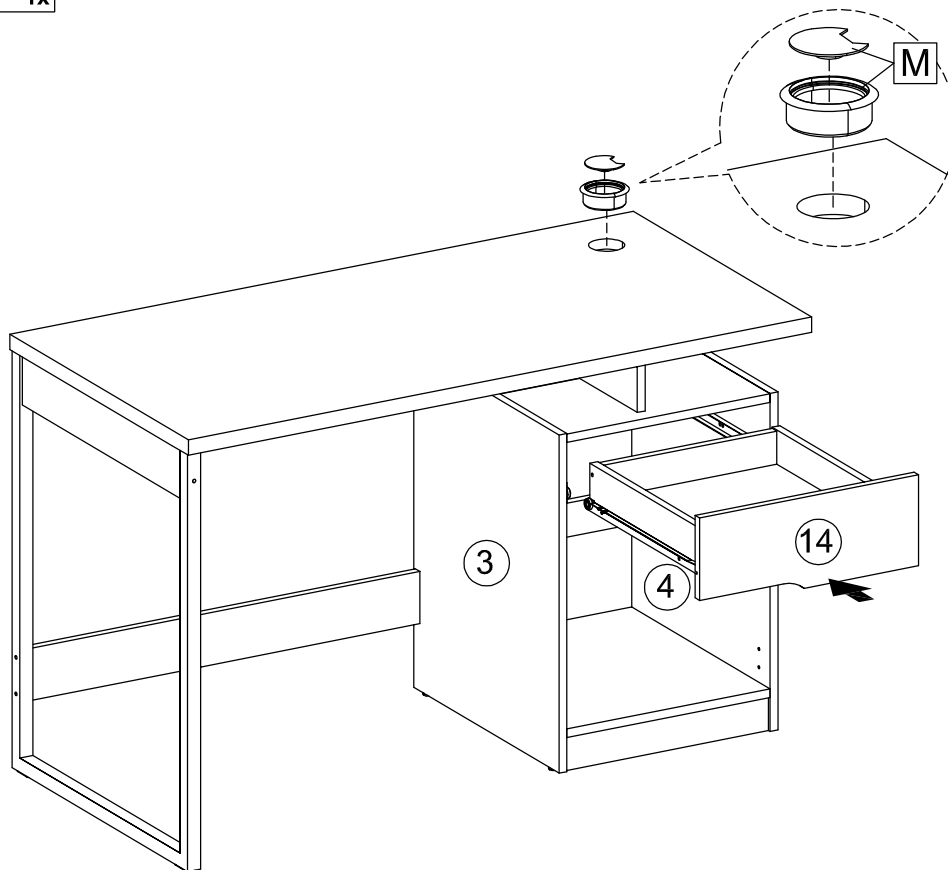
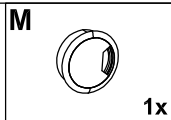
19



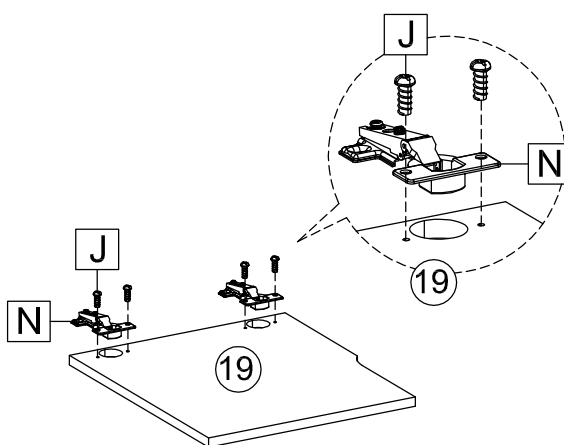
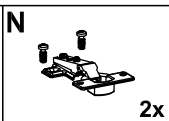
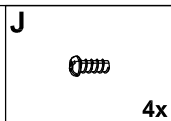
20



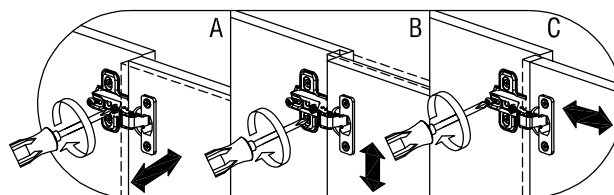
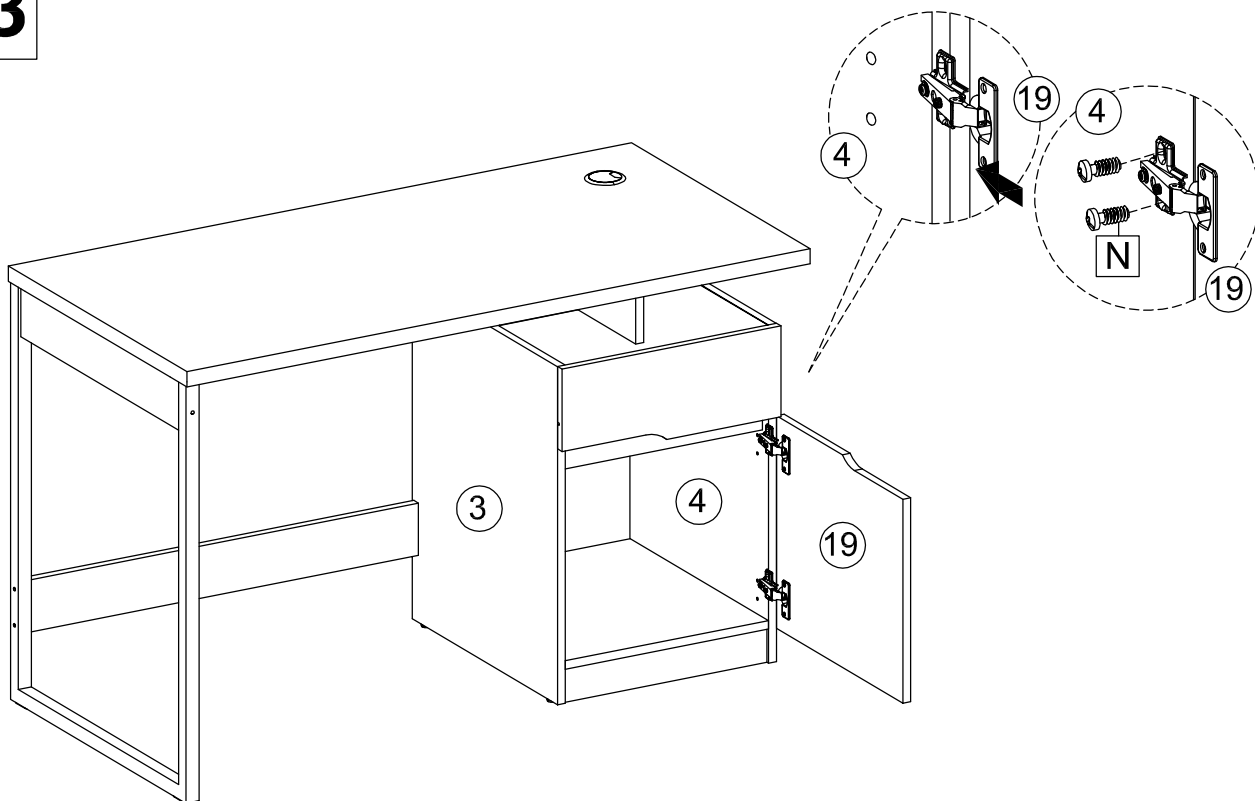
21



22



23



24

