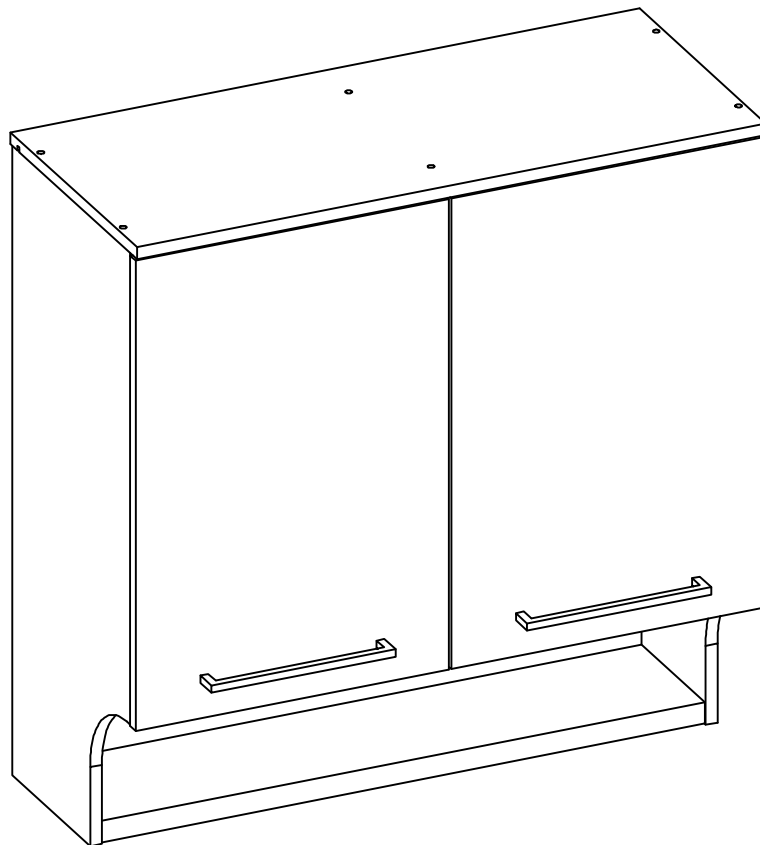


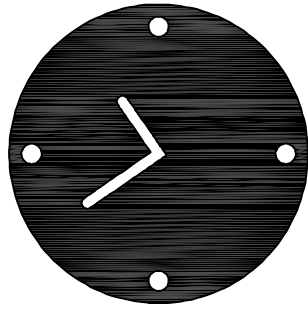
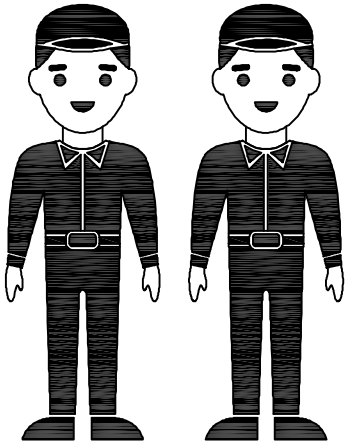
OKLAVA

Item Type : WALL UNIT

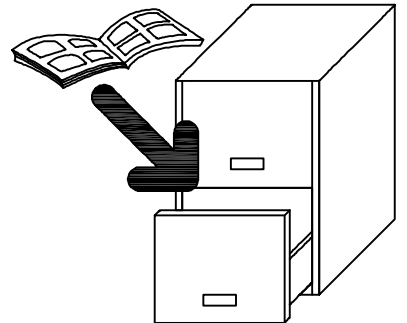
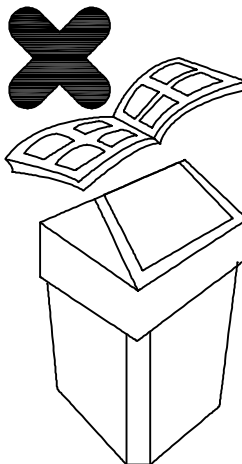
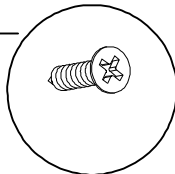
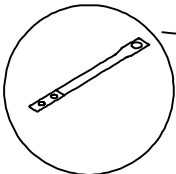
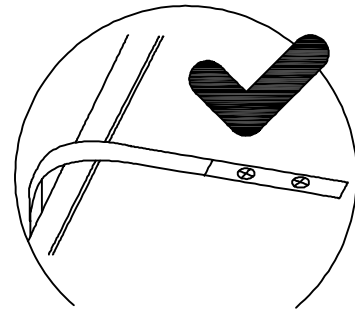
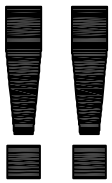
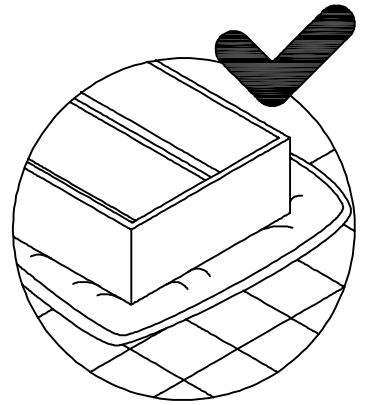
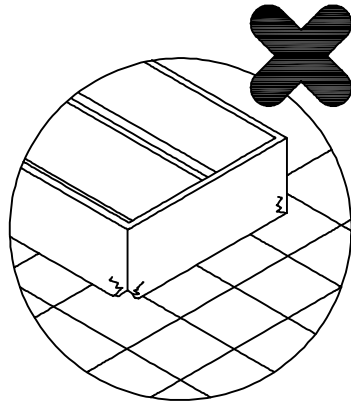
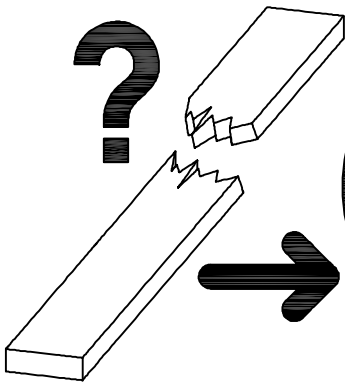
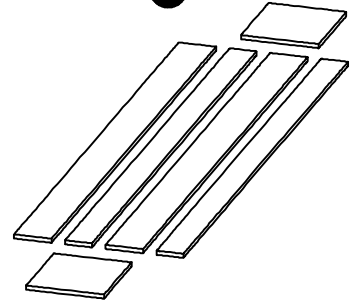
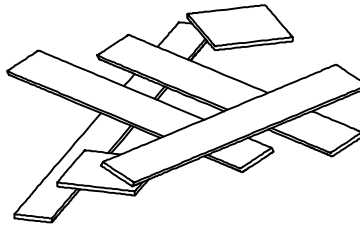
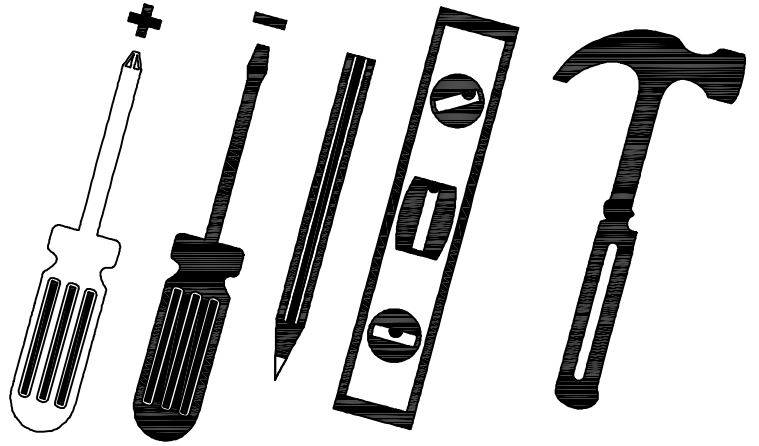
Item Code : OKLWU 2B & OKLWU 2B GL

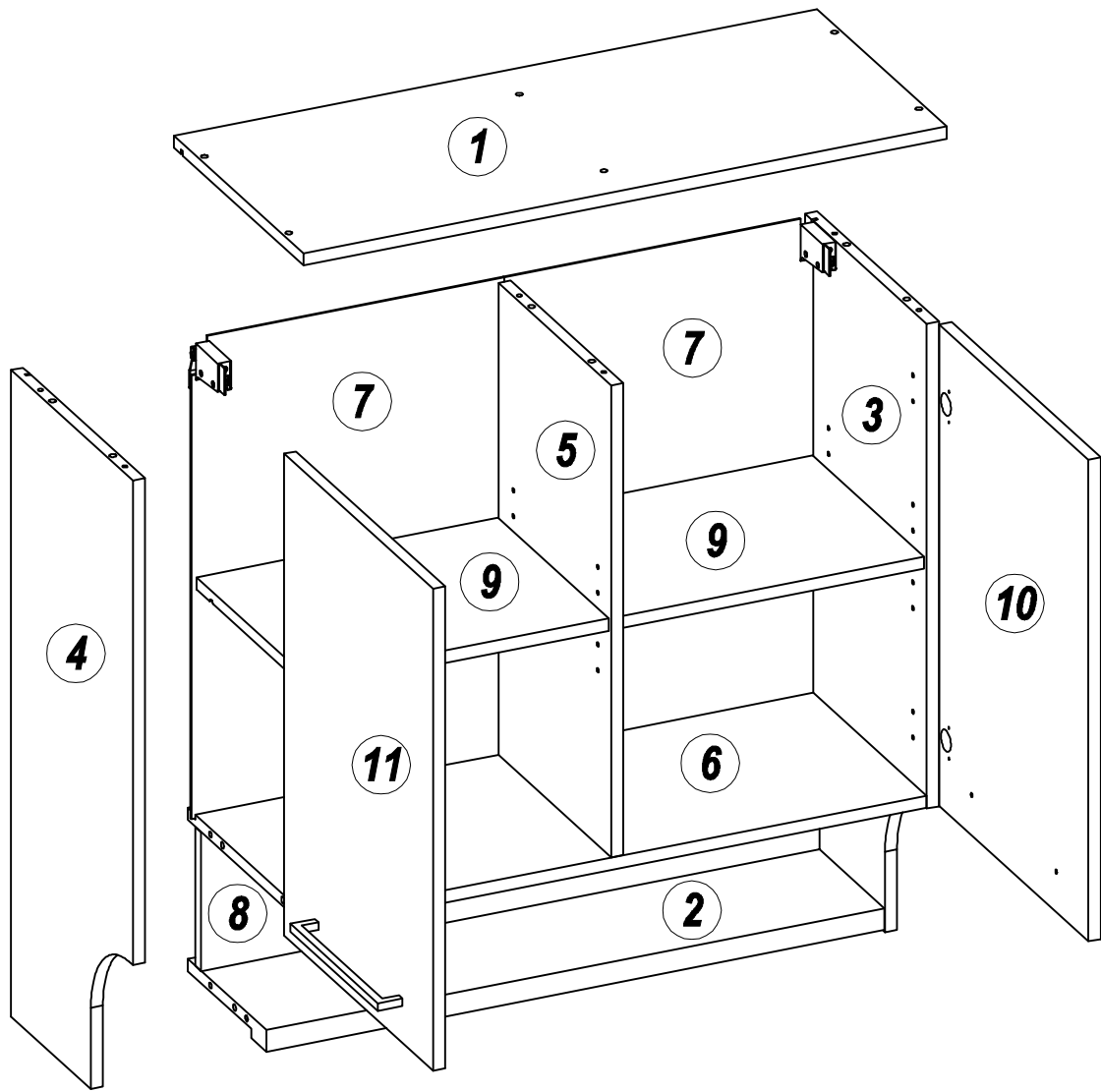
Dimension : 799 x 346 x 815 mm

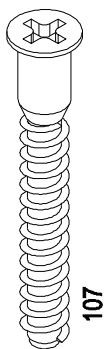




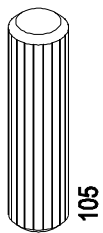
60 MIN



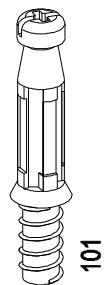




8x



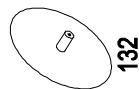
20x



12x



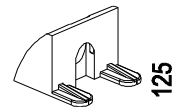
12x



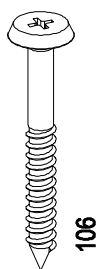
10x



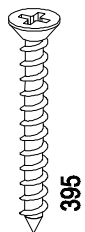
8x



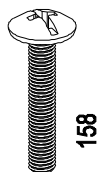
10x



4x



4x



4x



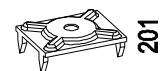
10x



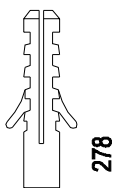
8x



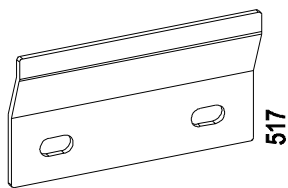
3x



3x



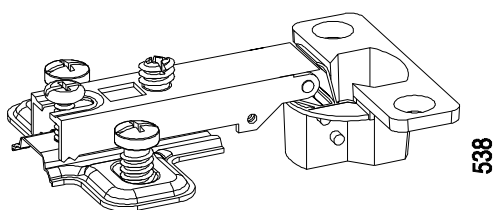
4x



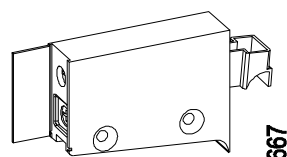
2x



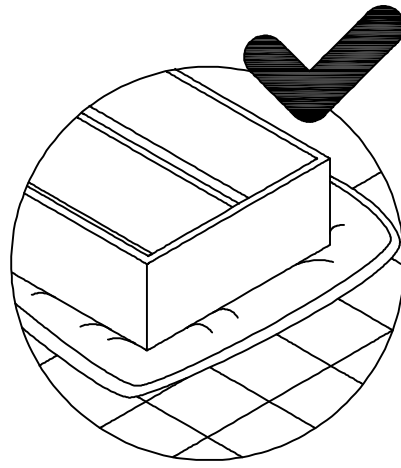
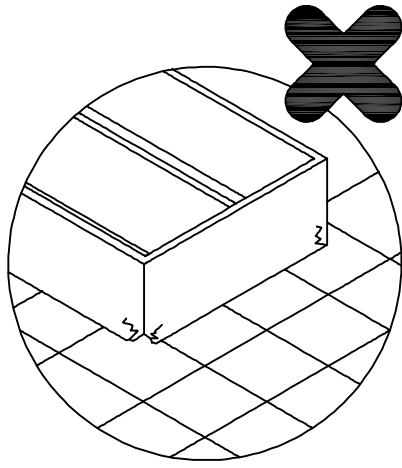
2x



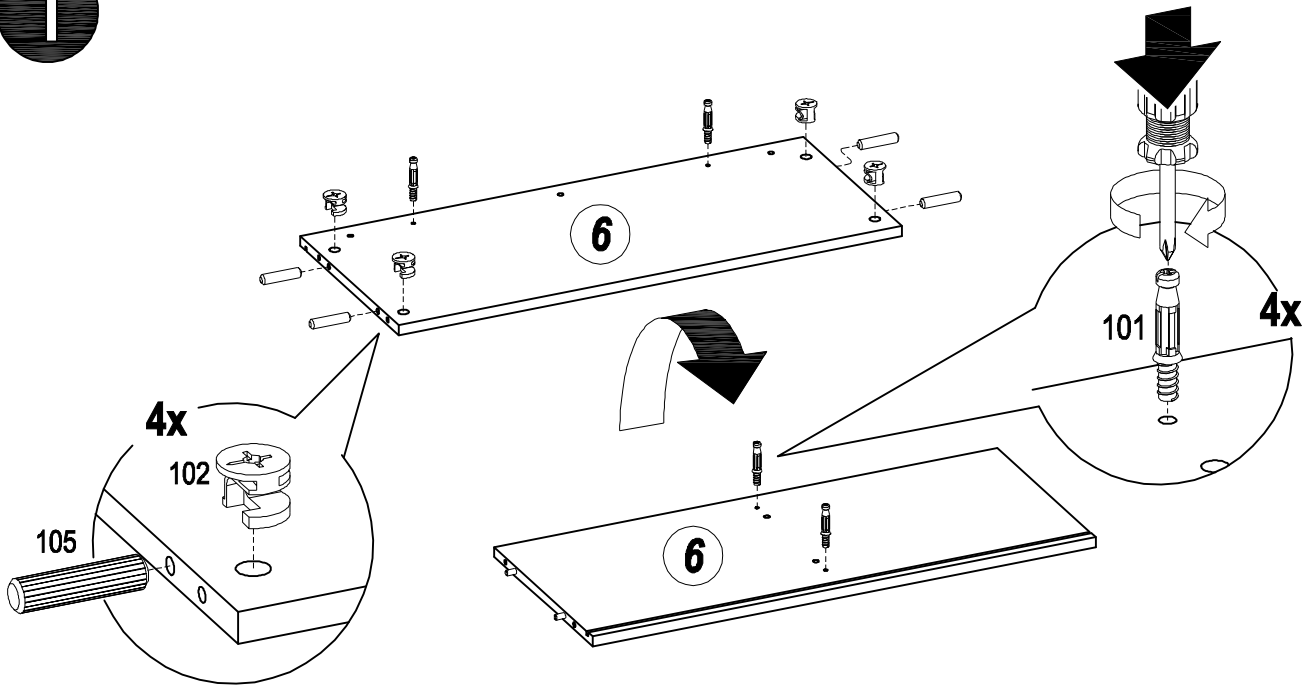
4x



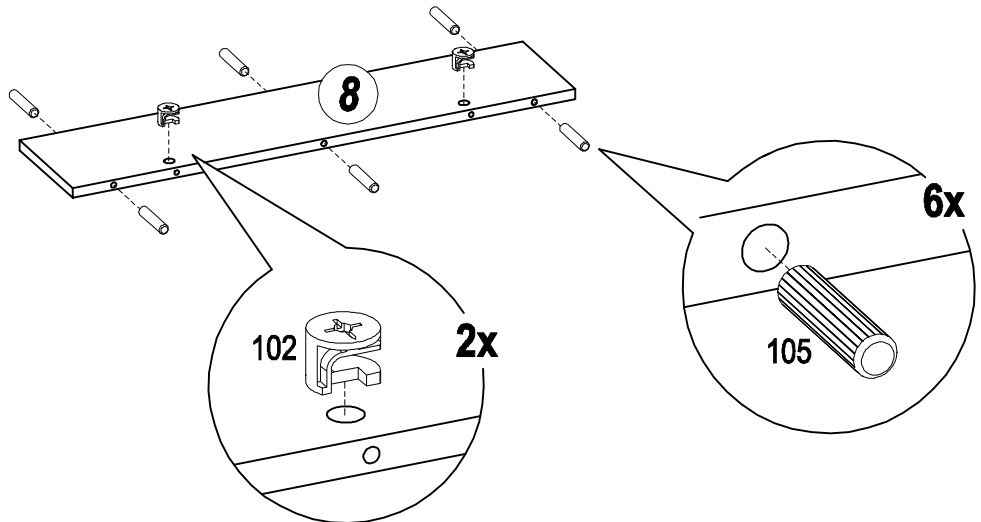
2x



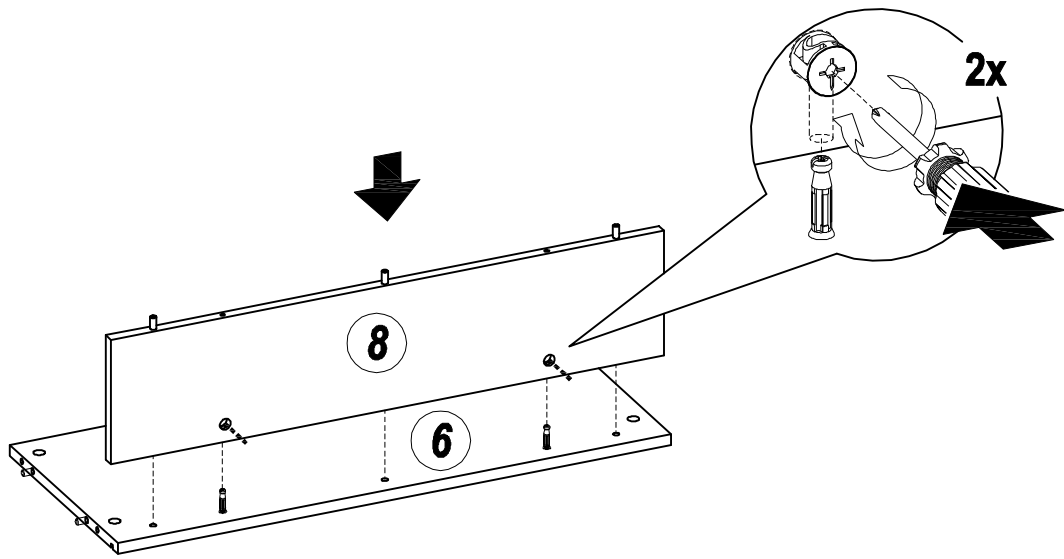
1



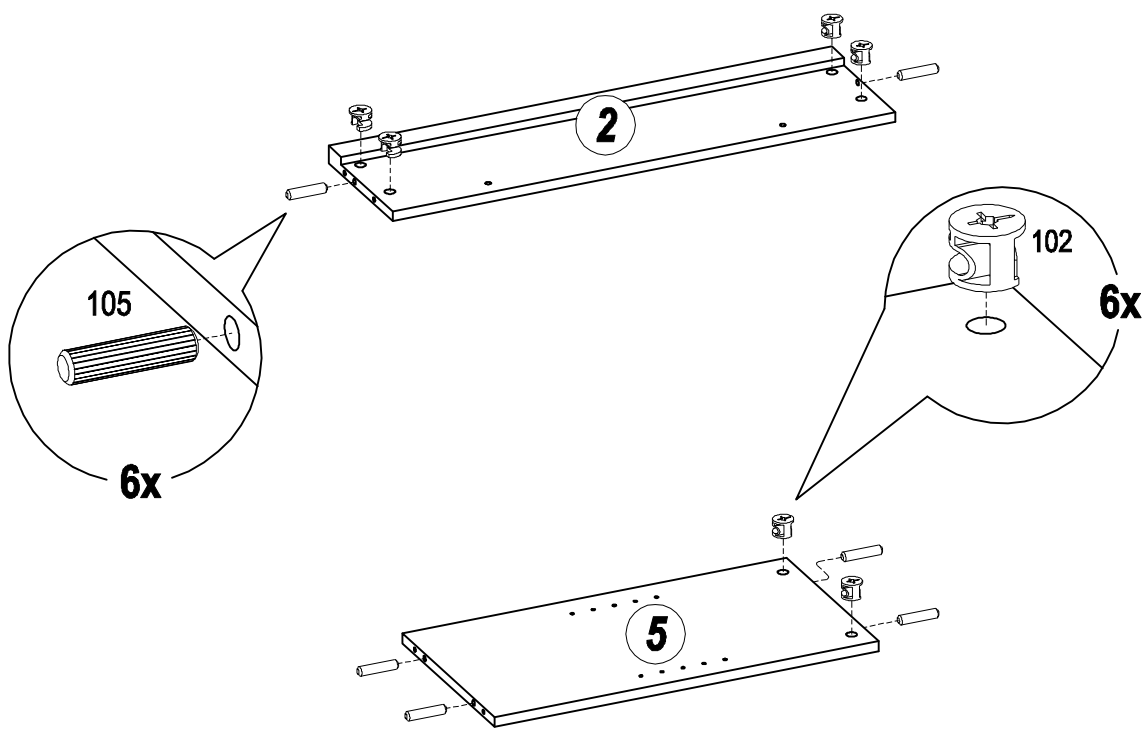
2



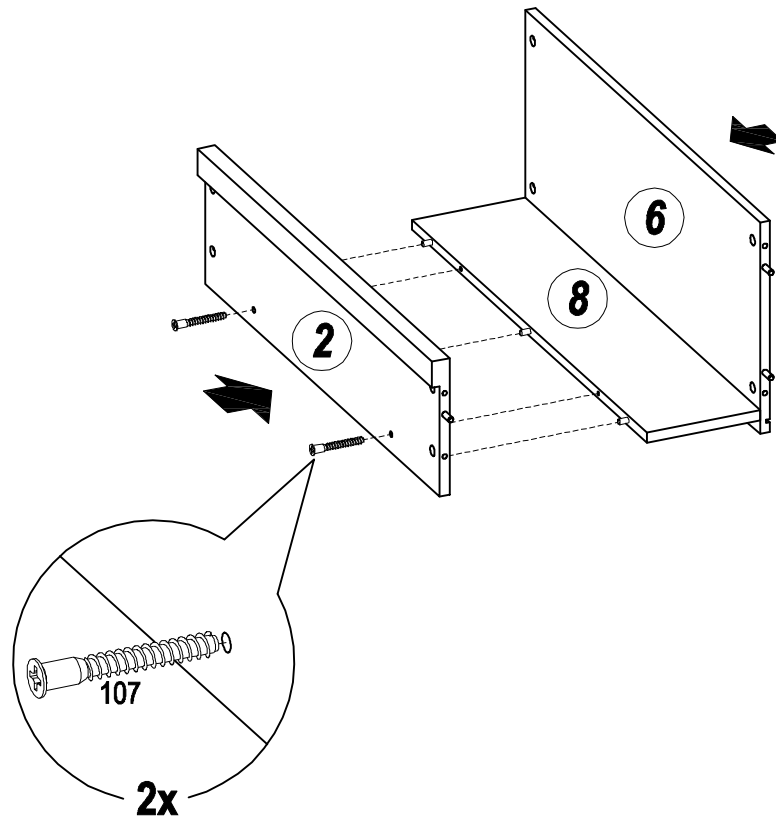
3



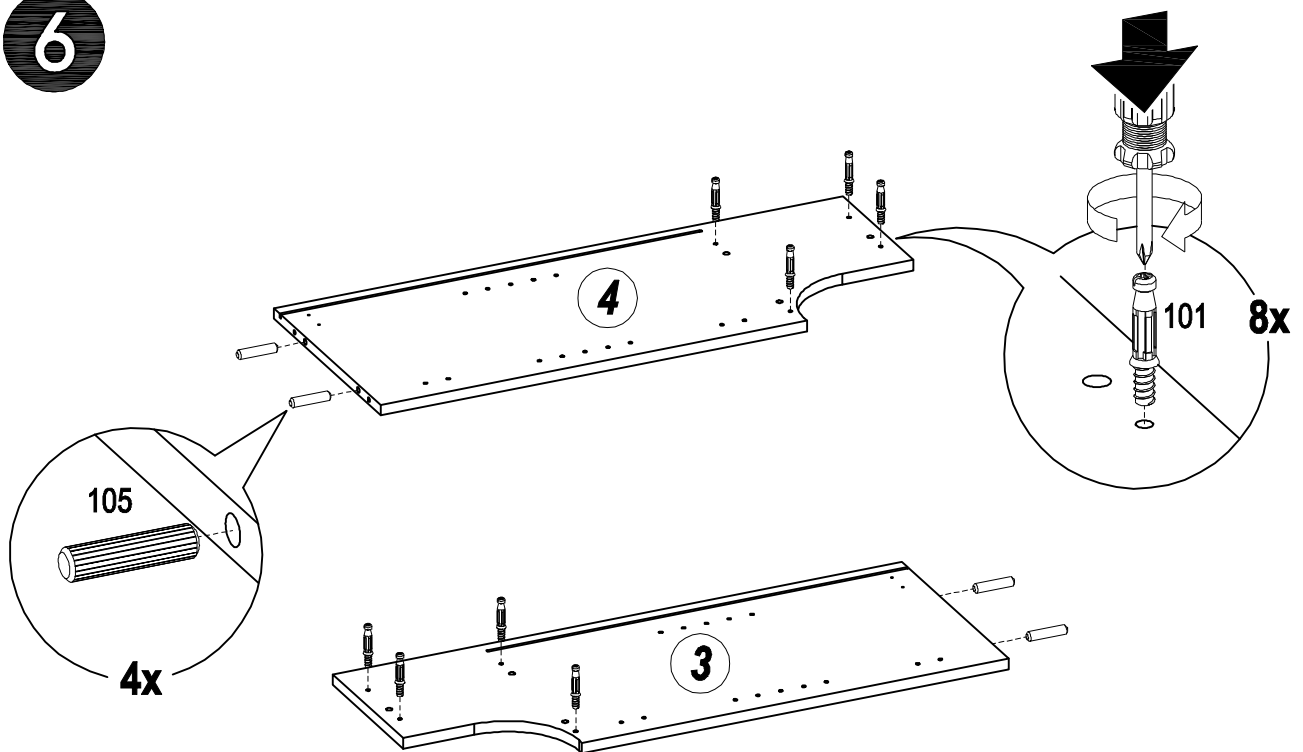
4



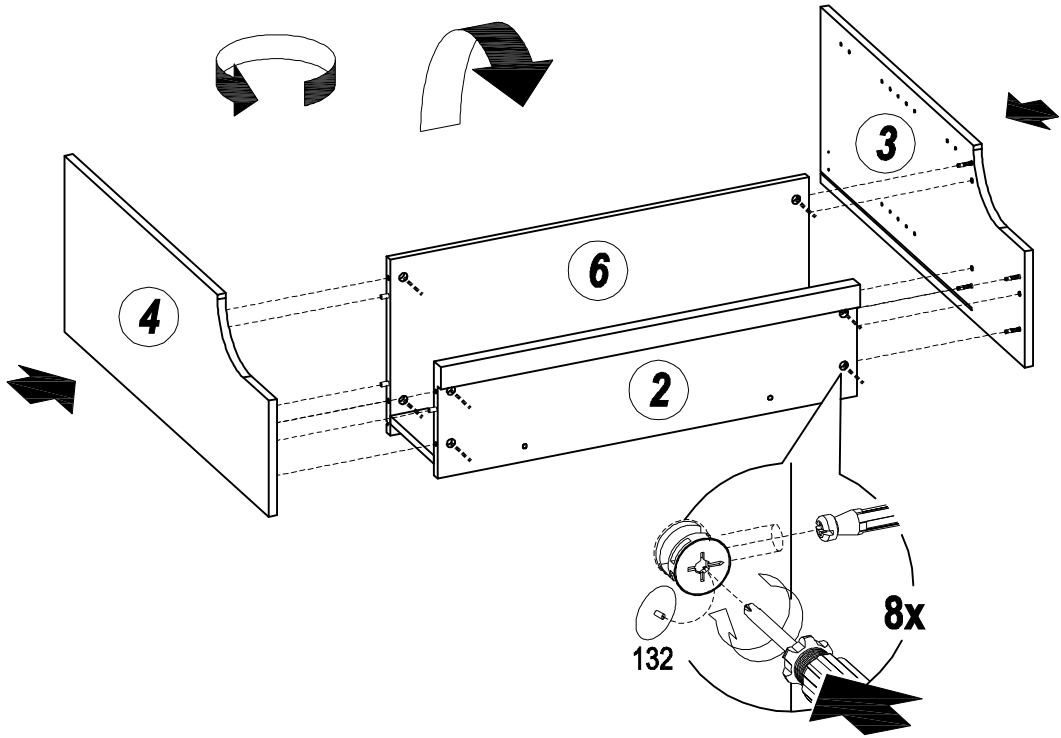
5



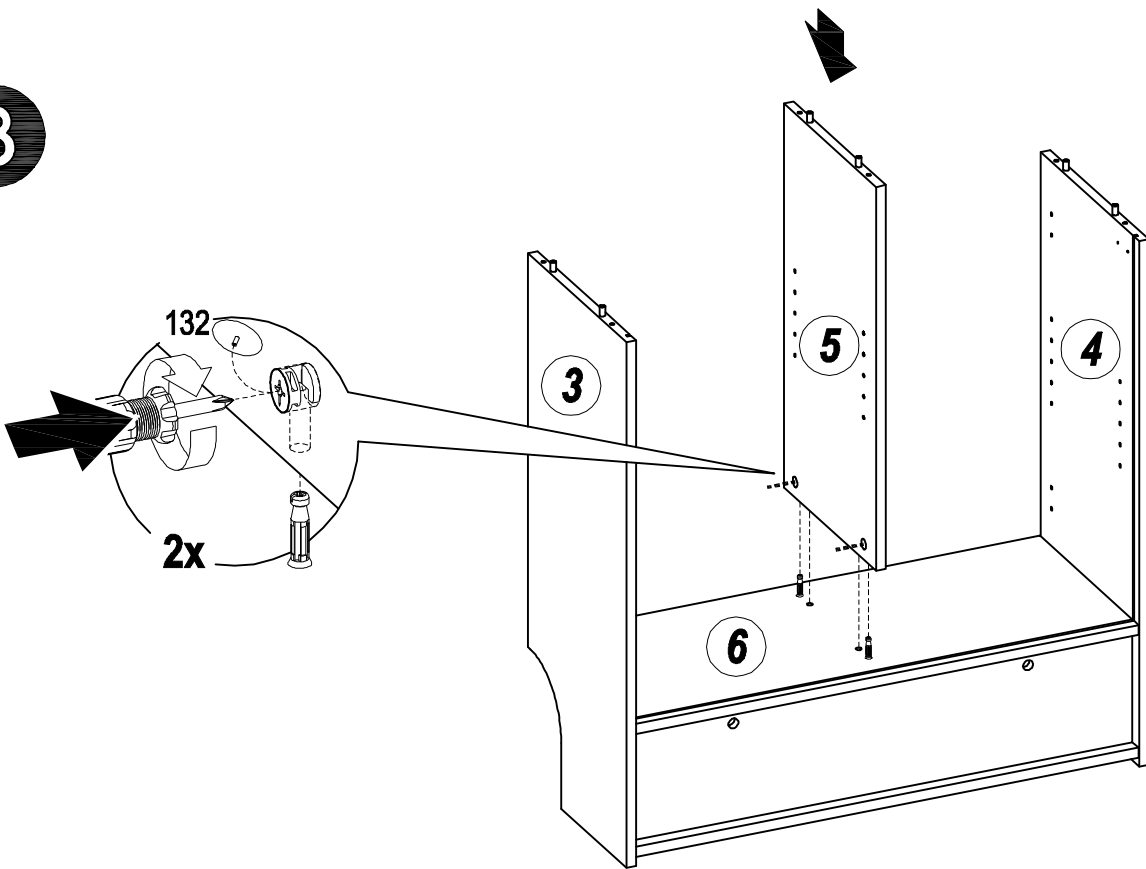
6



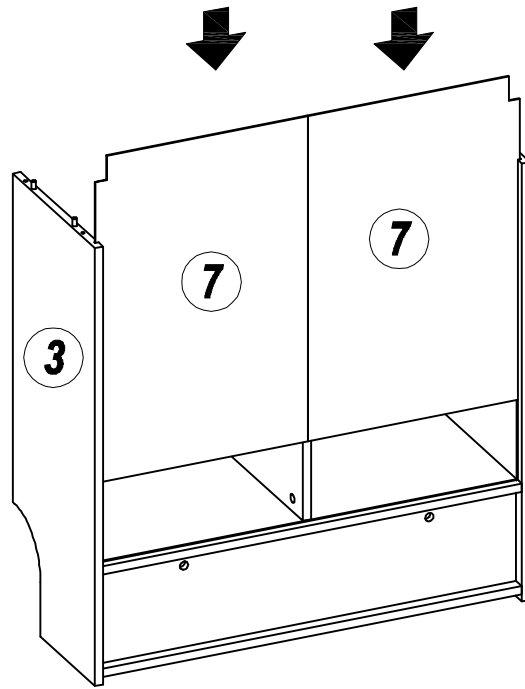
7



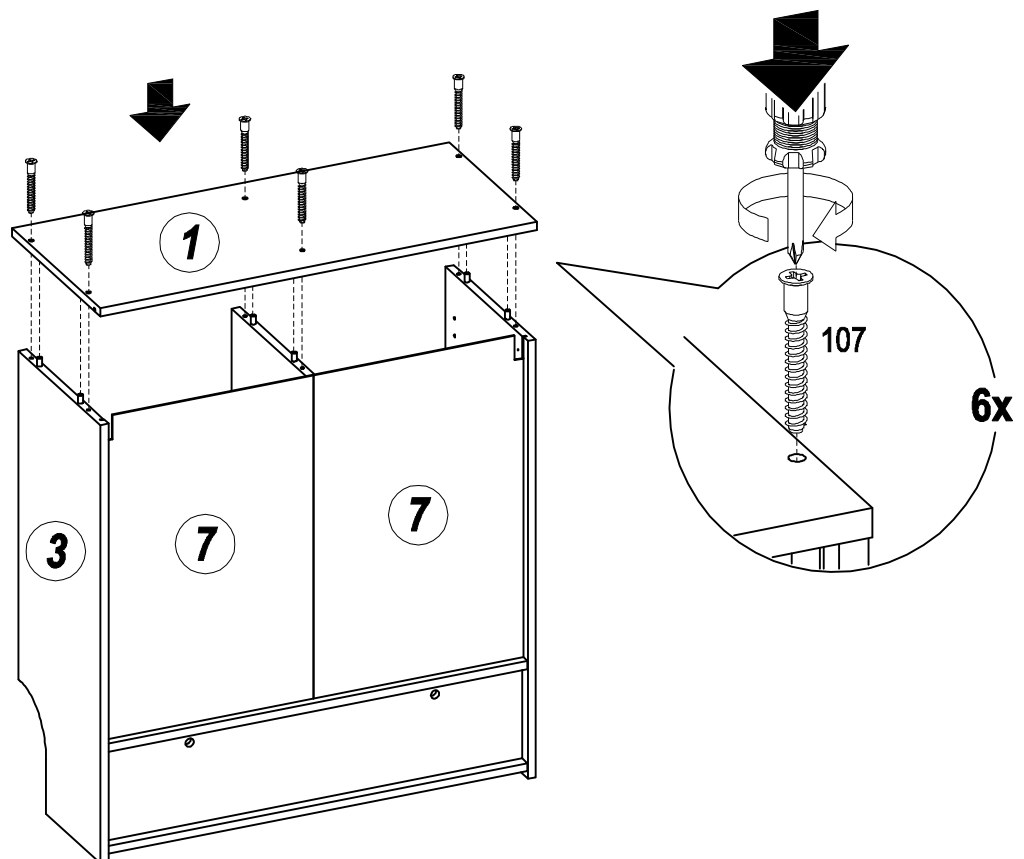
8



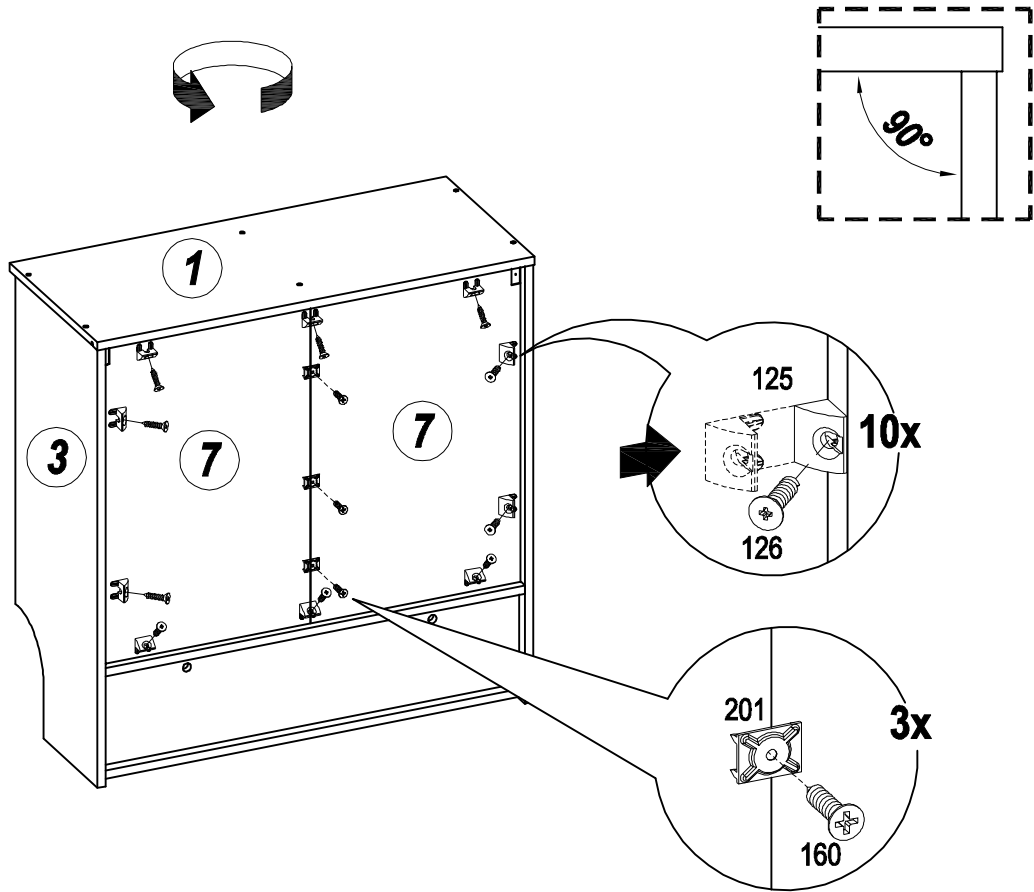
9



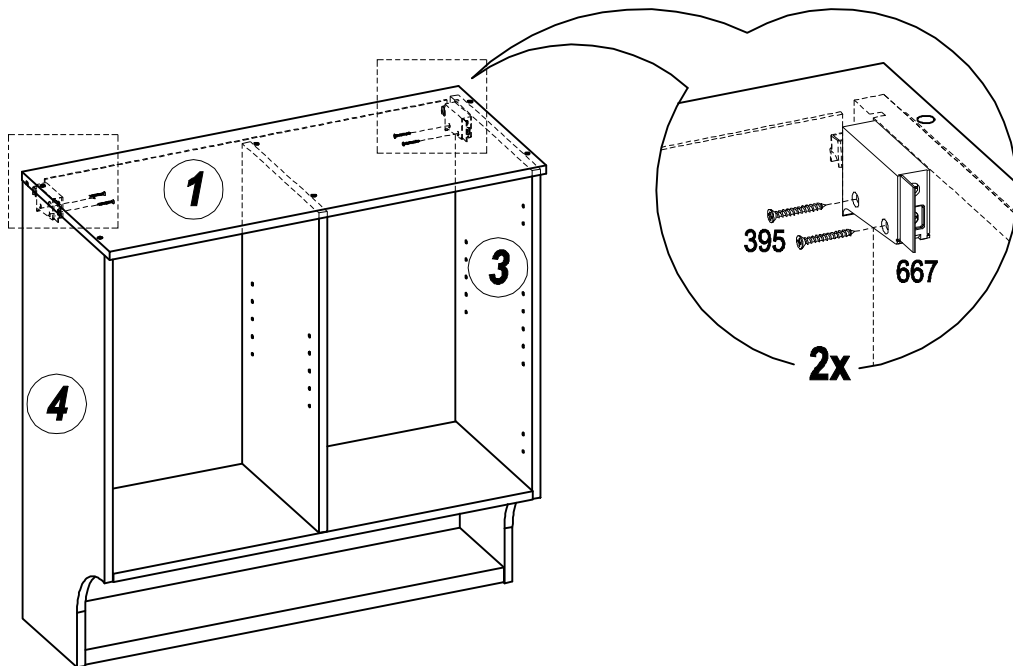
10



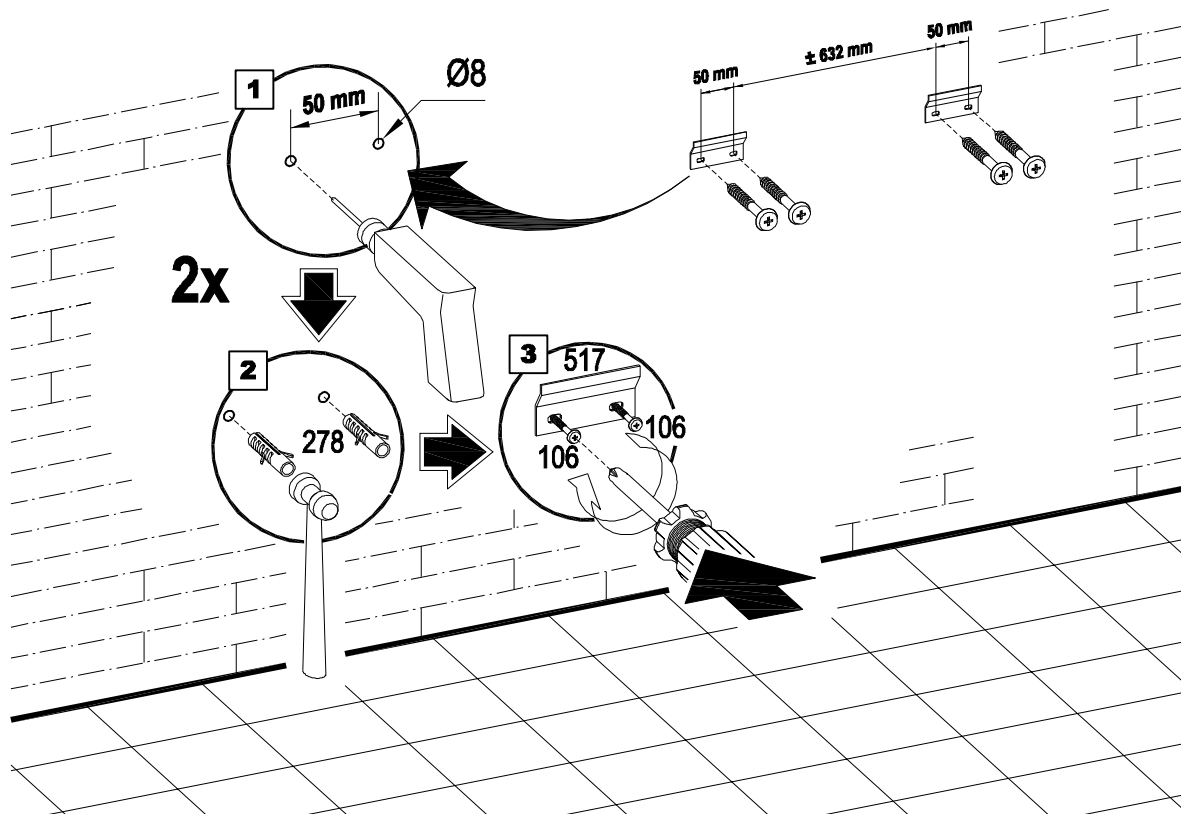
11



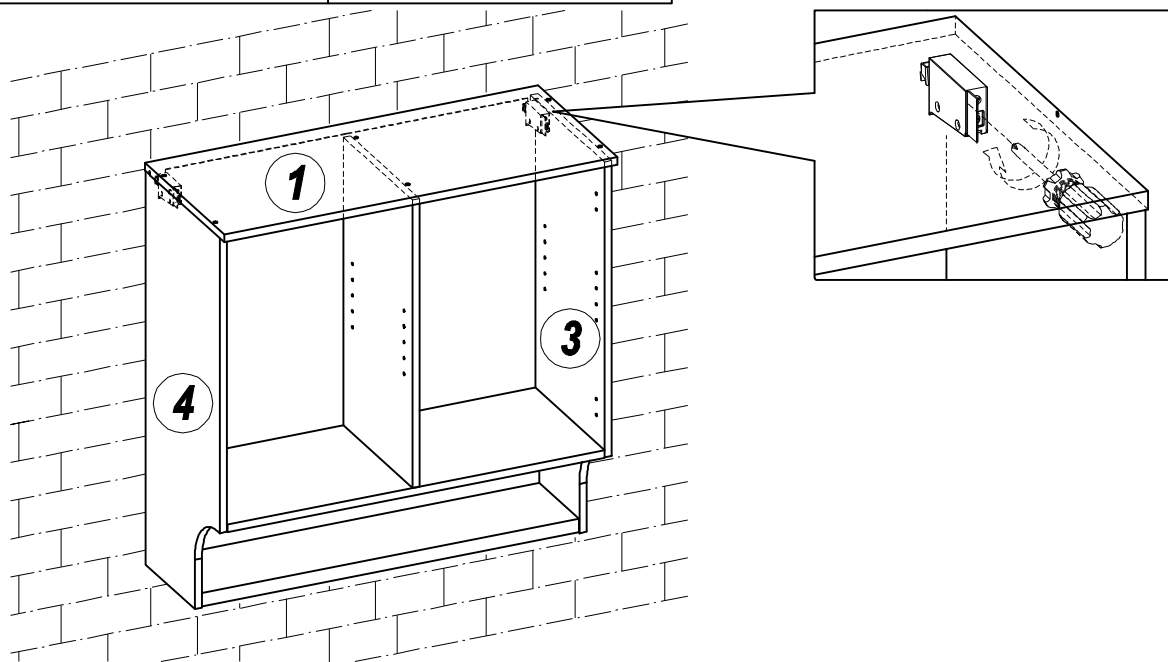
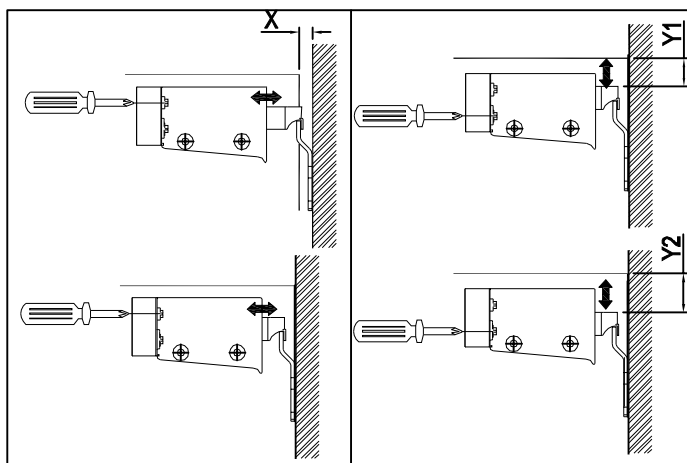
12



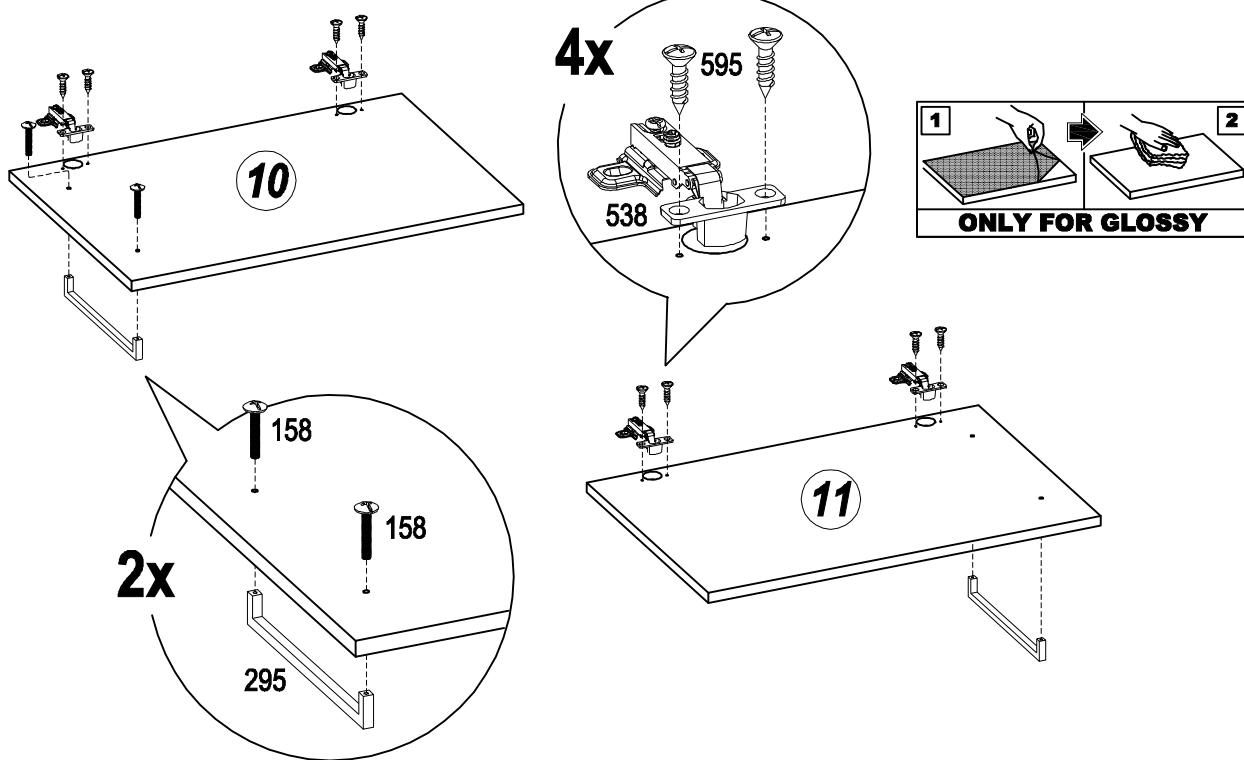
13



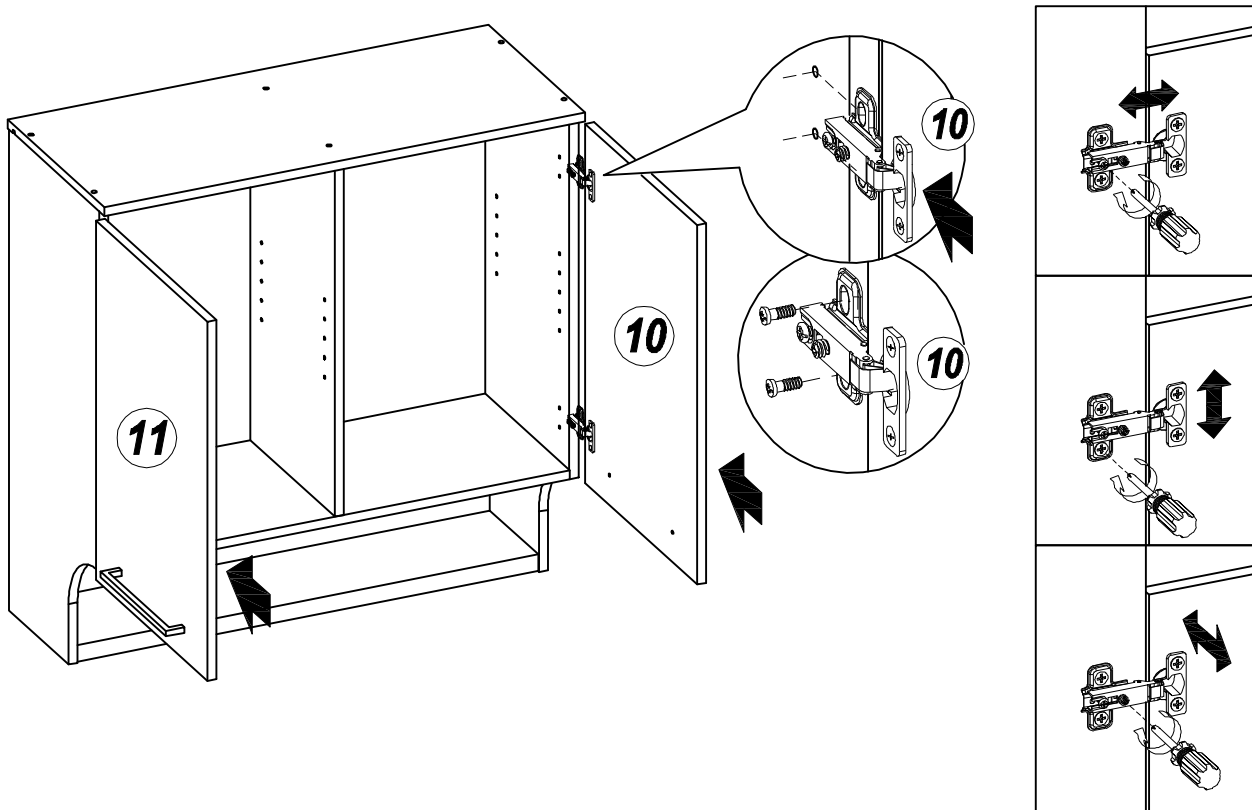
14



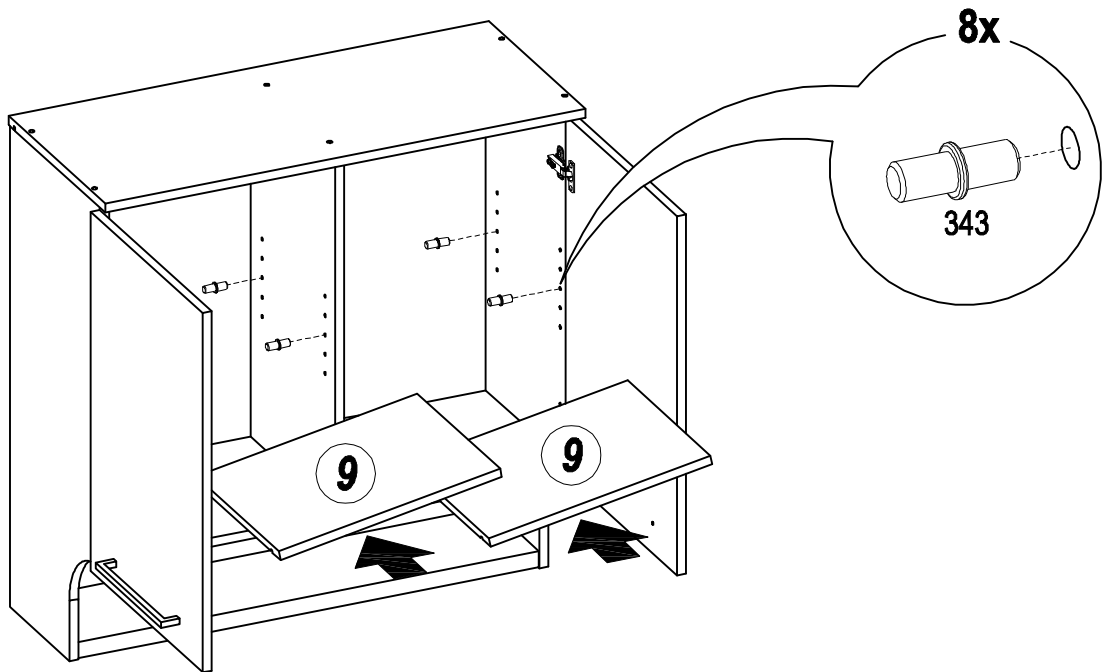
15



16



17



18

