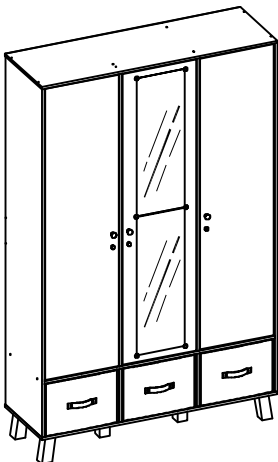
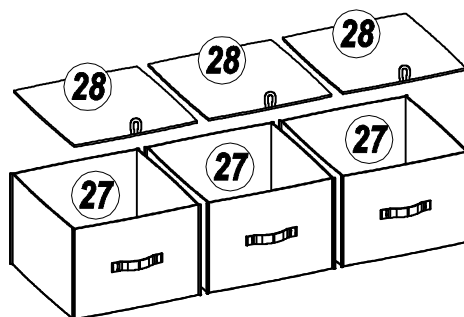
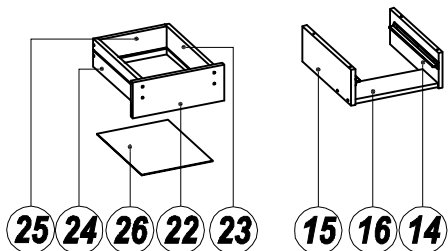
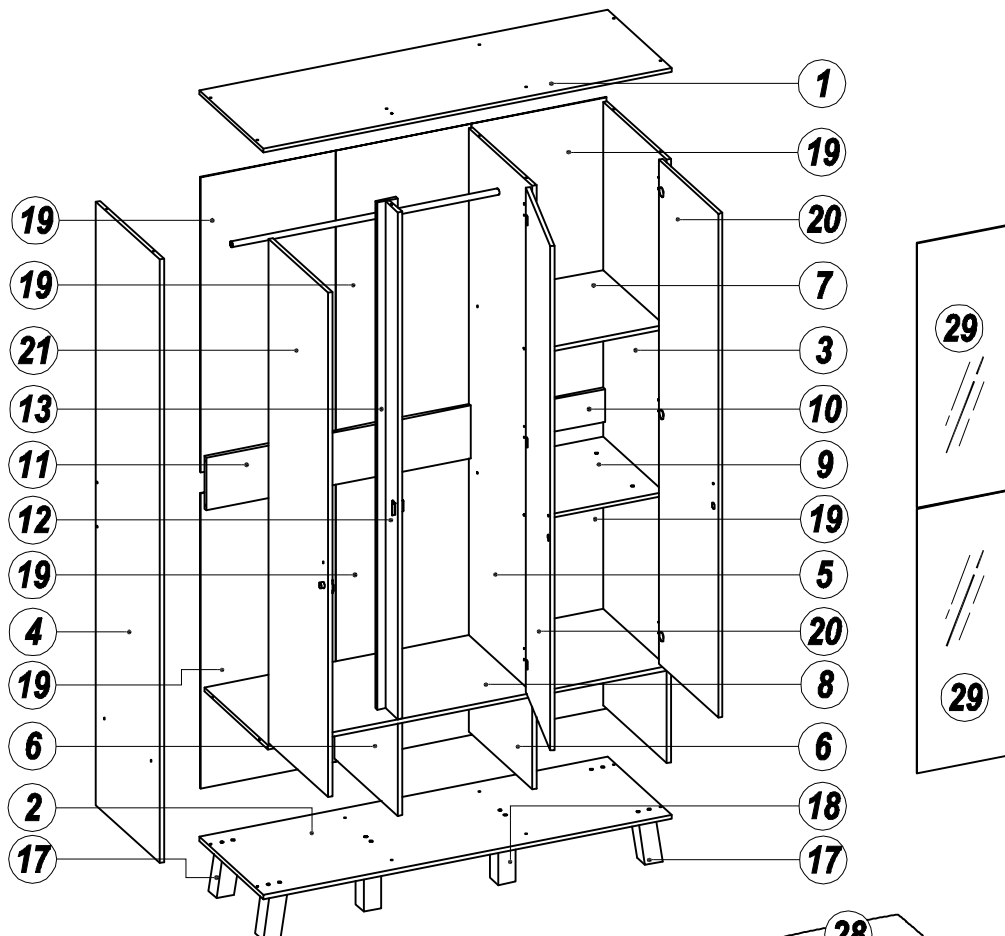
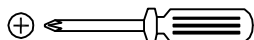
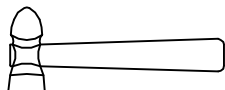


90
MNT



ARNOR WD 3



A x 4	B x 4	C x 71	D x 9	E x 18	F x 34
					 Ø3.5 X 12 mm
G x 3	H x 3	J x 3	K x 3	L x 3	M x 6
 Ø3.5 X 9 mm					
N x 12	P x 110	Q x 2	R x 1	S x 6	
 Ø3 X 12 mm					

1

F x4
Ø 3.5 x 12 mm

Q x2

2

C x4

3

A x4

B x4

S x6

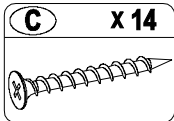
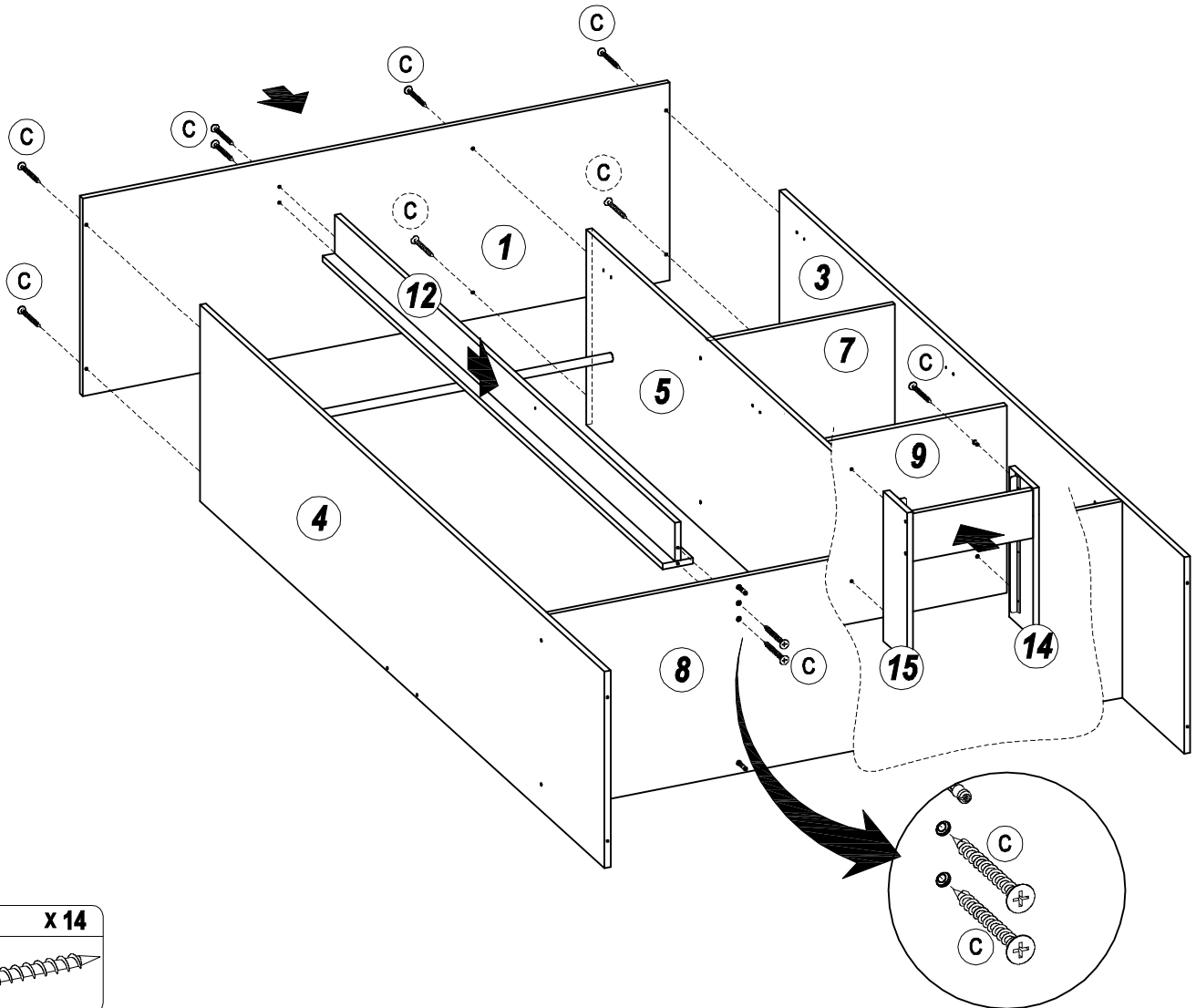
17 4x

18 2x

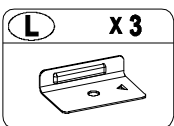
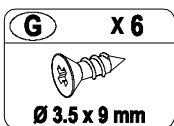
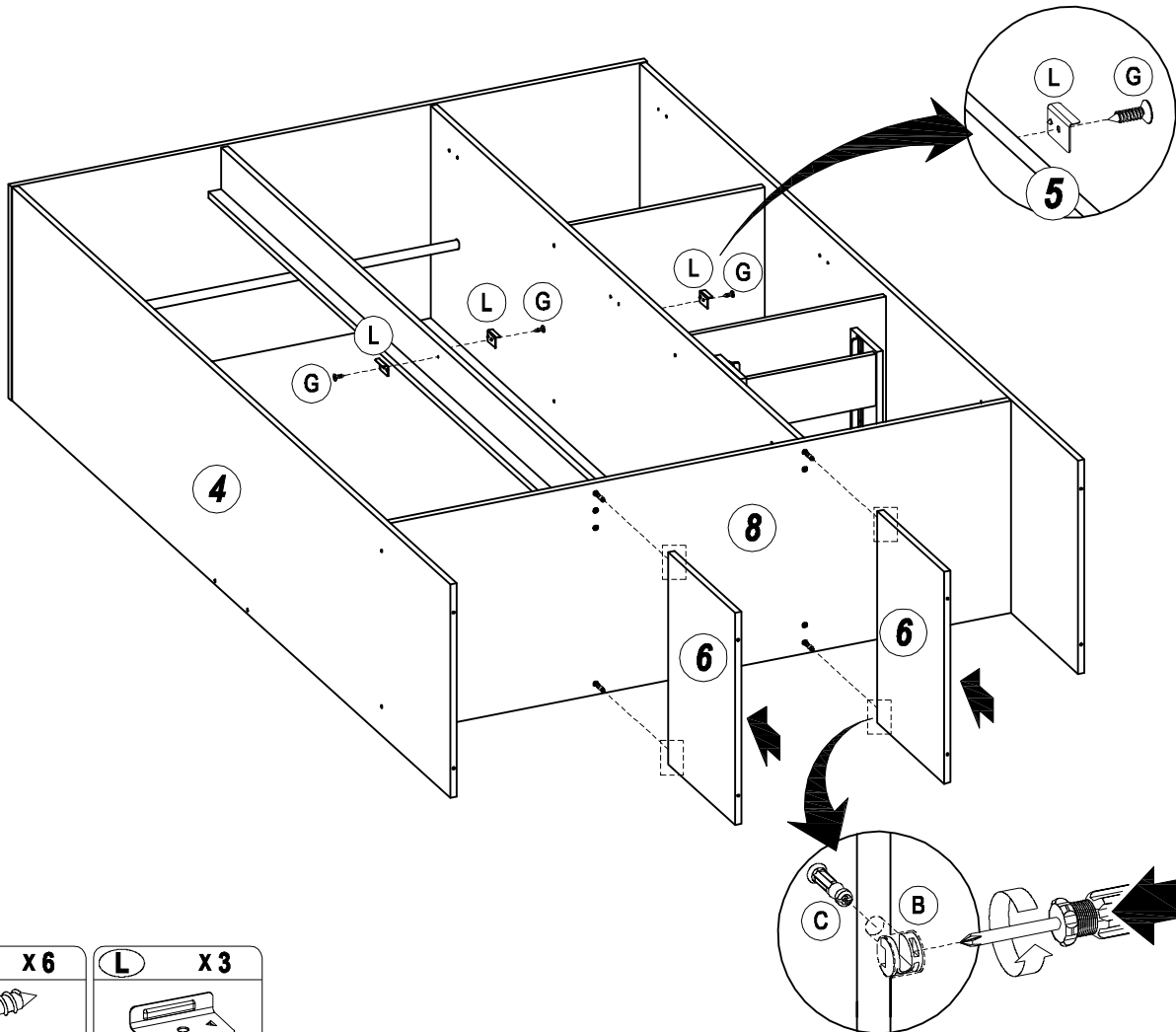
4

C x4

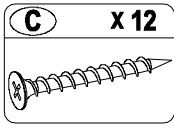
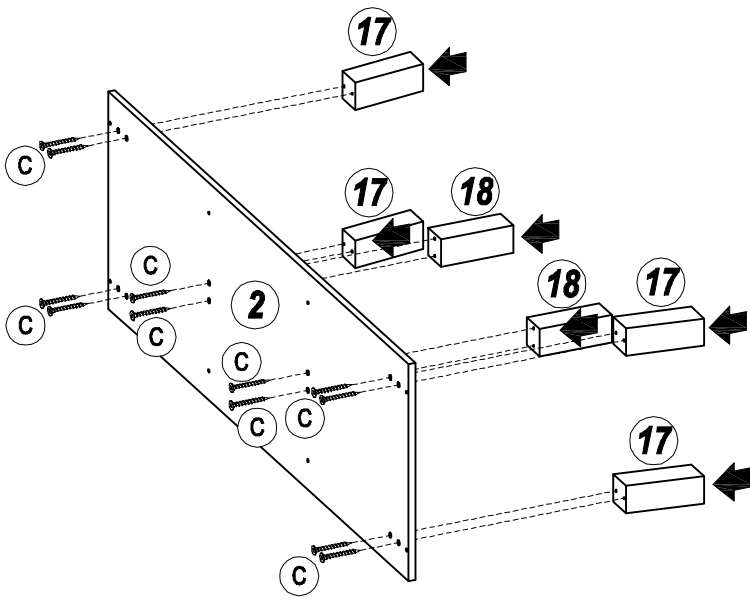
8



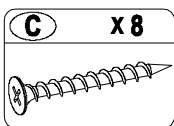
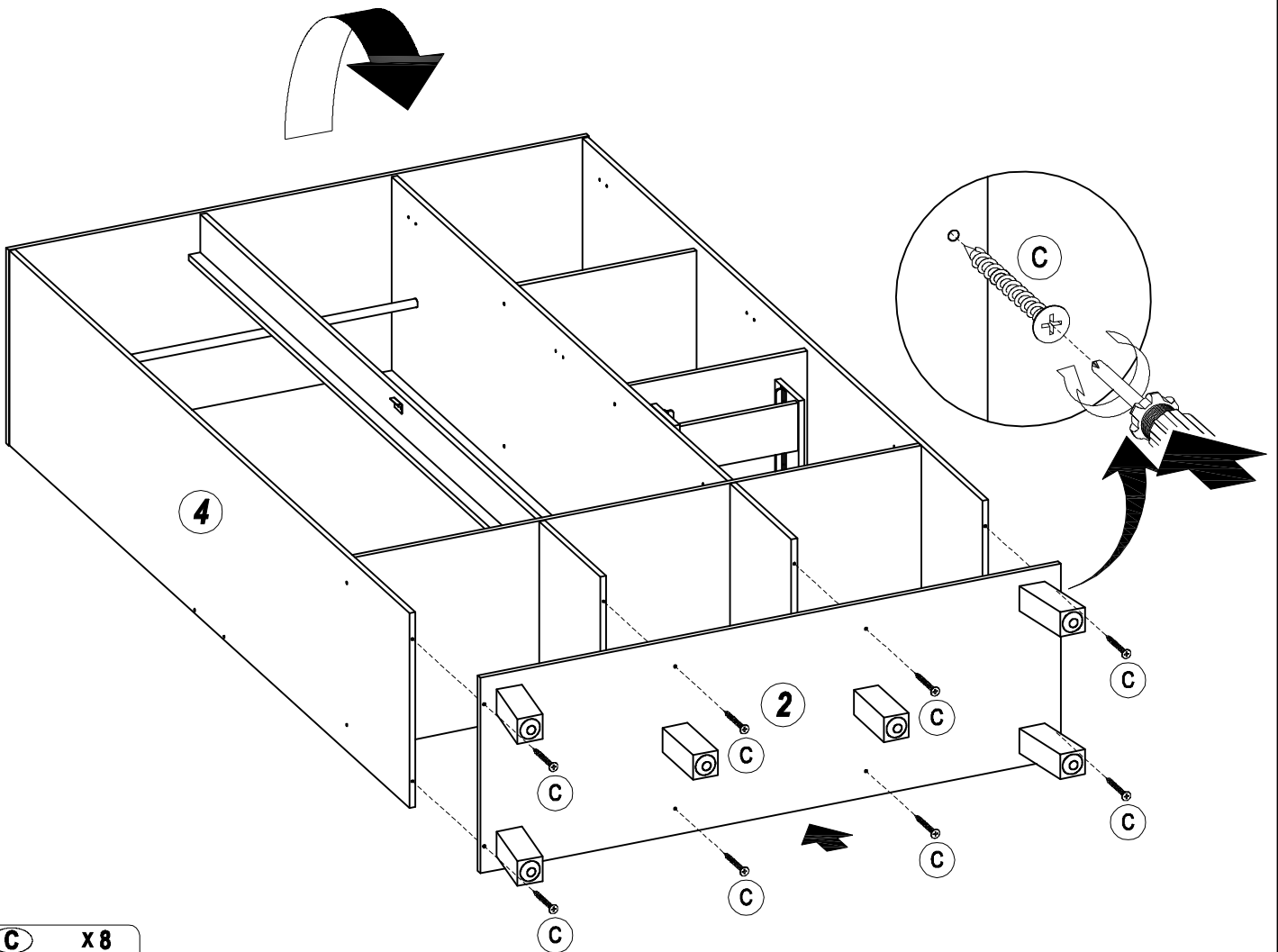
9



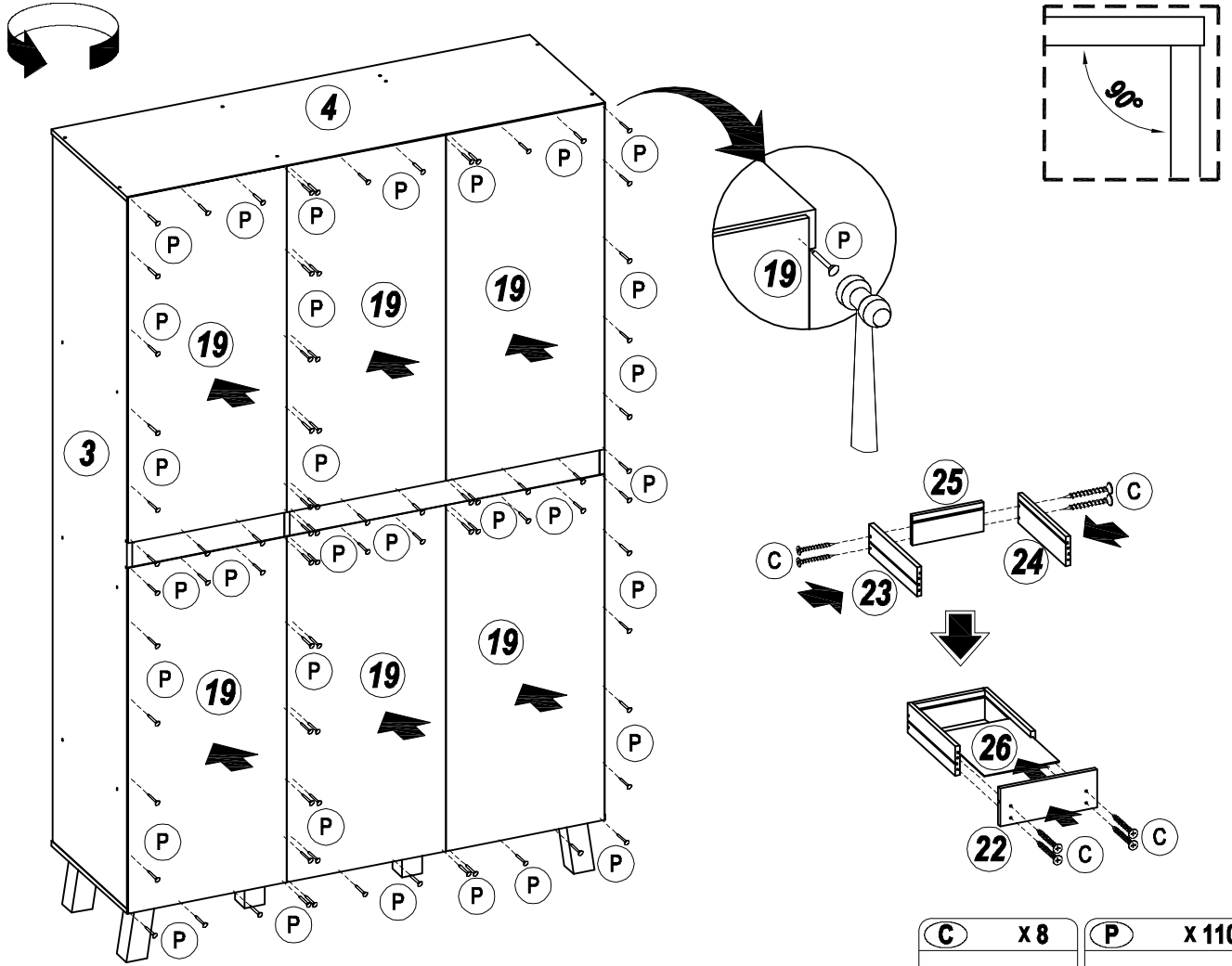
10

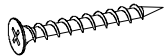
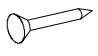


11

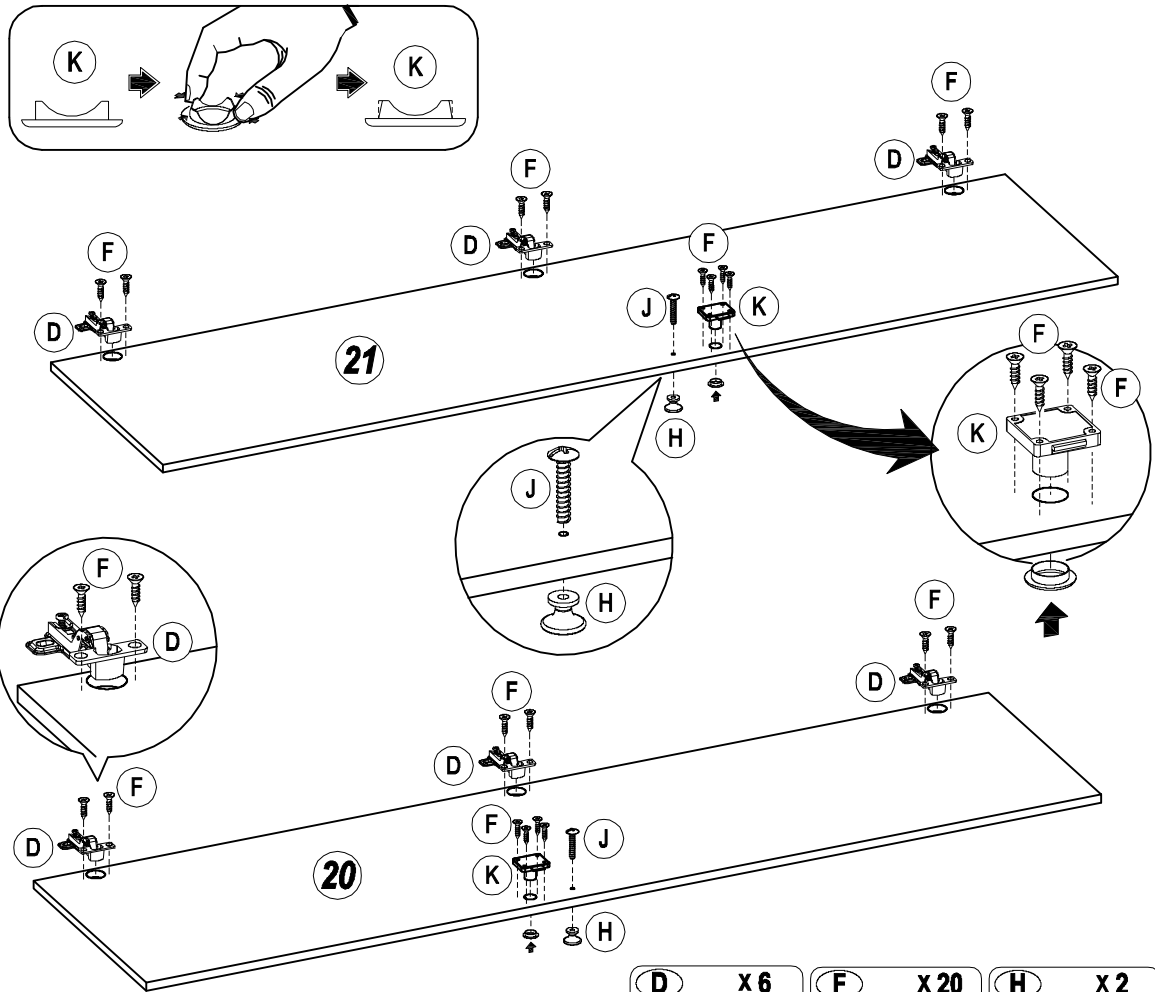





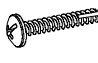
12



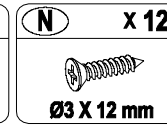
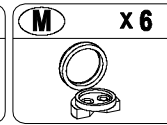
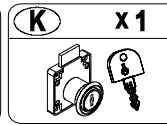
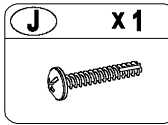
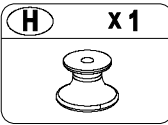
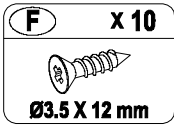
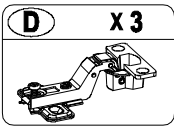
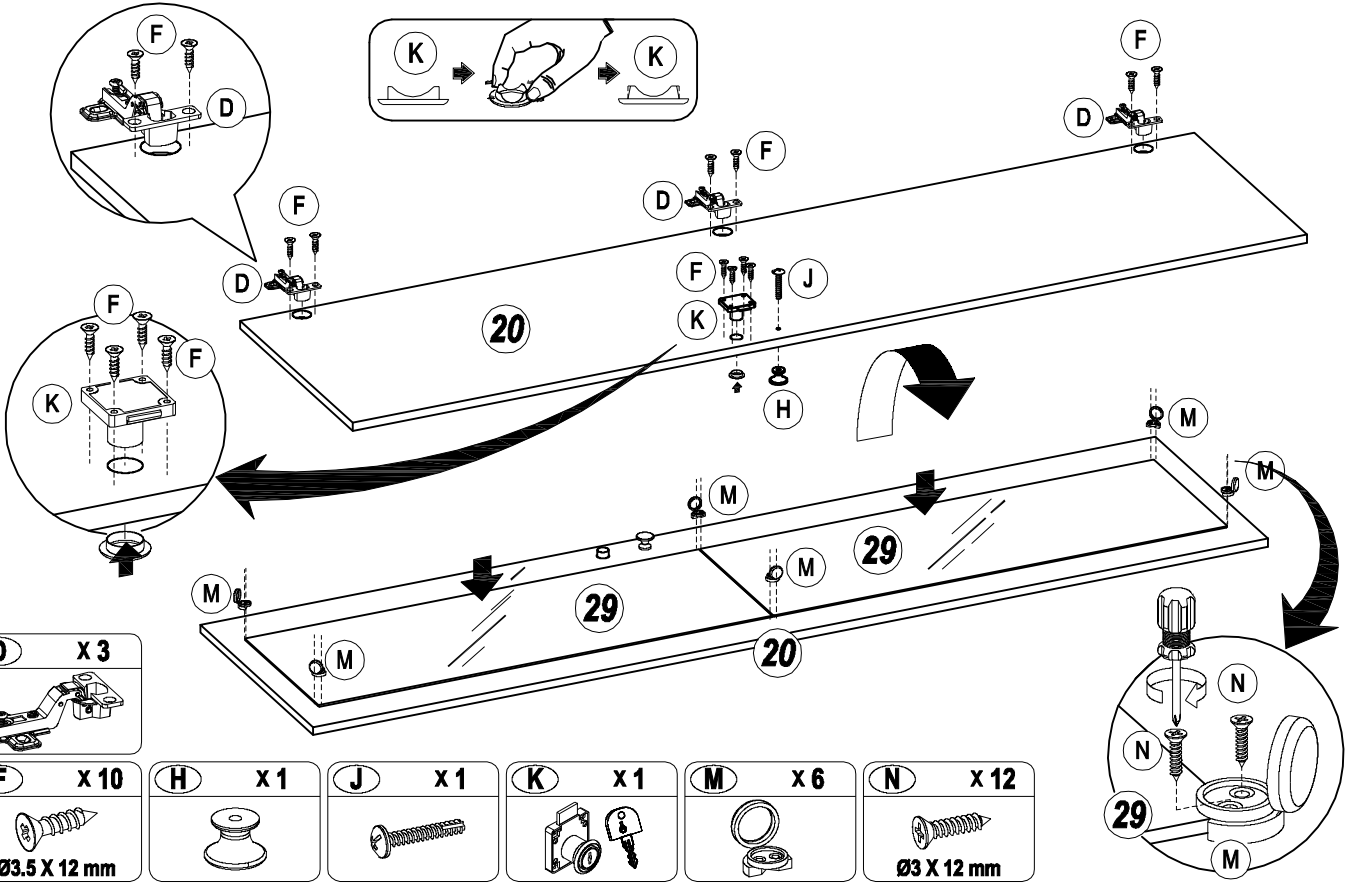
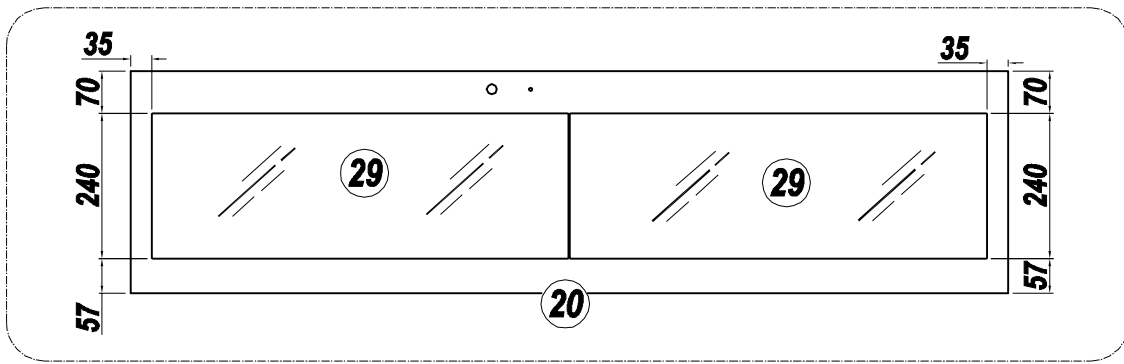
C	x 8	P	x 110
			

13

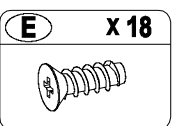
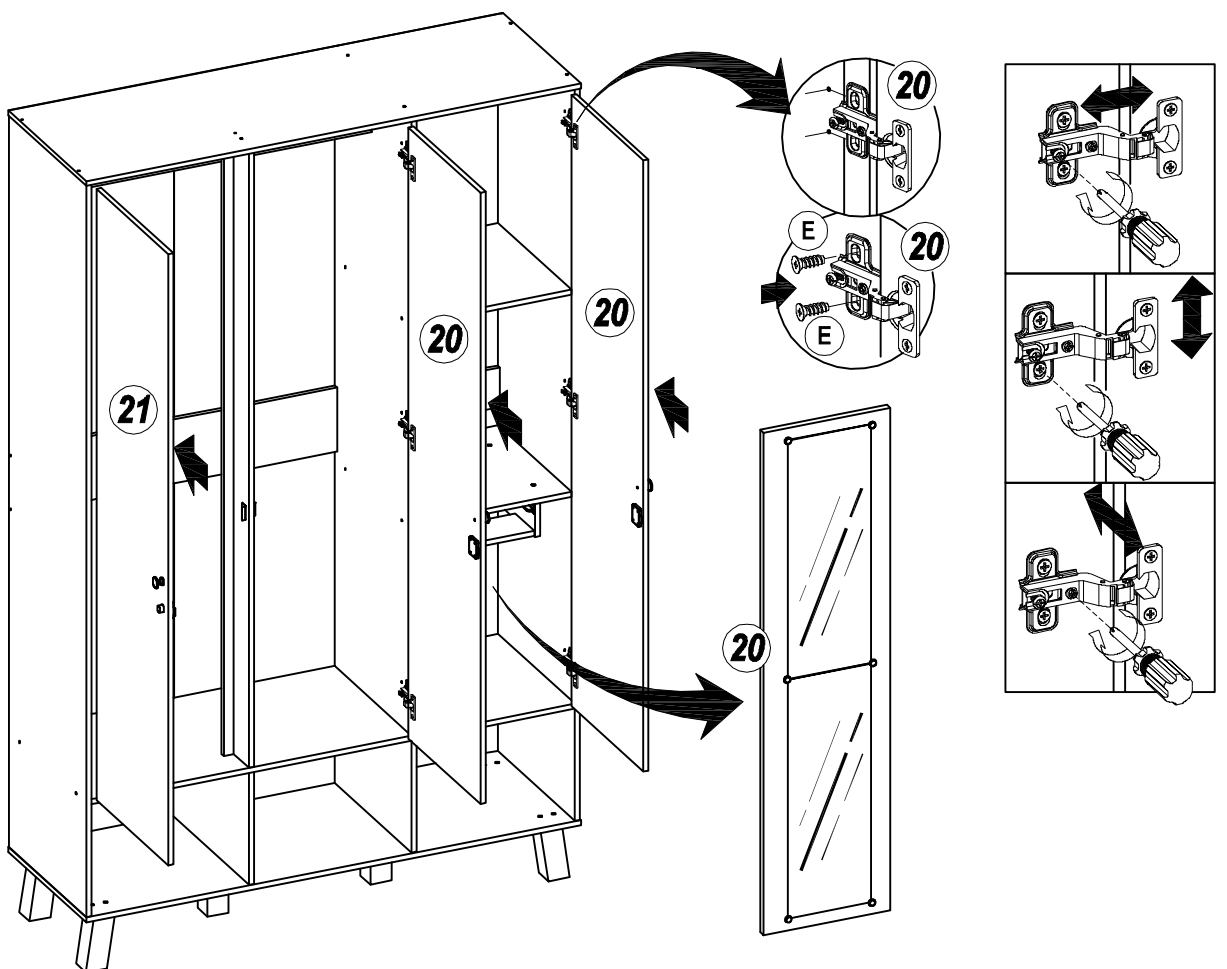


D	x 6	F	x 20	H	x 2	J	x 2
		 Ø3.5 X 12 mm					

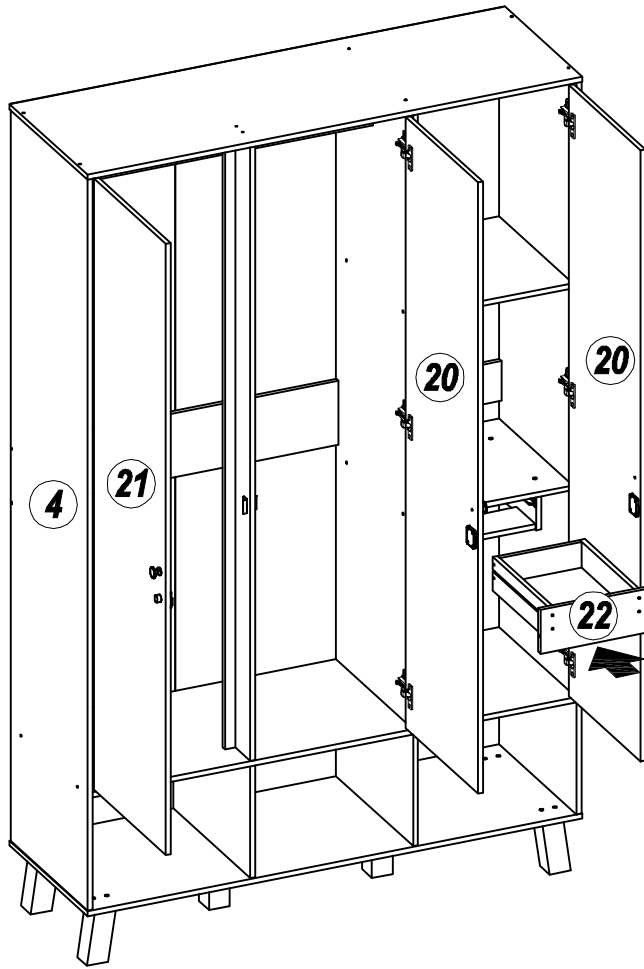
14



15



16



17

