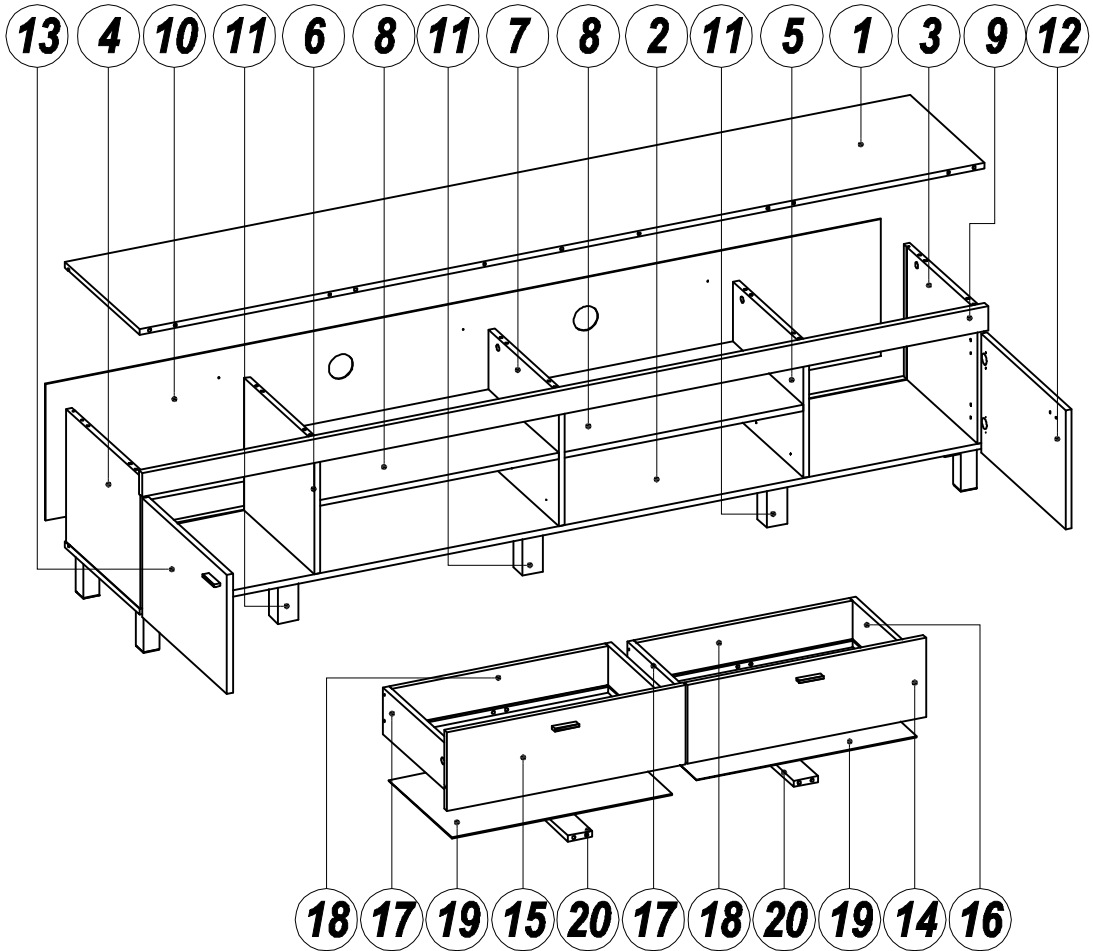
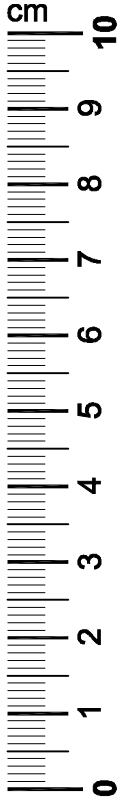
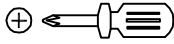
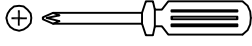
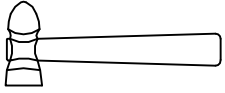
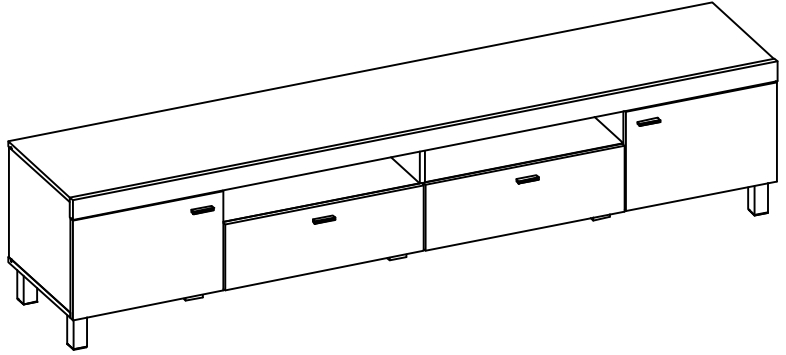


**60**  
MNT

# BENEDICT TV210



<b>A</b> x 28 	<b>B</b> x 28 	<b>C</b> x 9 	<b>D</b> x 49 	<b>E</b> x 16 	<b>F</b> x 8 
<b>G</b> x 4 	<b>H</b> x 8 Ø 3.5 x 12 mm 	<b>J</b> x 4 	<b>K</b> x 8 	<b>L</b> x 20 Ø 3.5 x 12 mm 	<b>M</b> x 4 
<b>N</b> x 16 Ø 3.5 x 12 mm 	<b>P</b> x 3 	<b>Q</b> x 18 	<b>R</b> x 18 Ø 3.5 x 19 mm 	<b>S</b> x 6 Ø 3 x 13 mm 	<b>T</b> x 2 
<b>U</b> x 2 					

**1**

Diagram 1 illustrates the assembly of the front panel. It shows three stages: 5, 6, and 7. Stage 5 shows the initial assembly of components A, B, D, L, and T. Stage 6 shows the addition of more components. Stage 7 shows the final assembly. A parts list at the bottom identifies the components:

<b>A</b> x8	<b>B</b> x6	<b>D</b> x12	<b>L</b> x8	<b>T</b> x2
			Ø 3.5 x 12 mm	

**2**

Diagram 2 shows the installation of components B, D, and P. It includes a callout for component P and a parts list at the bottom:

<b>B</b> x8	<b>D</b> x8	<b>P</b> x3

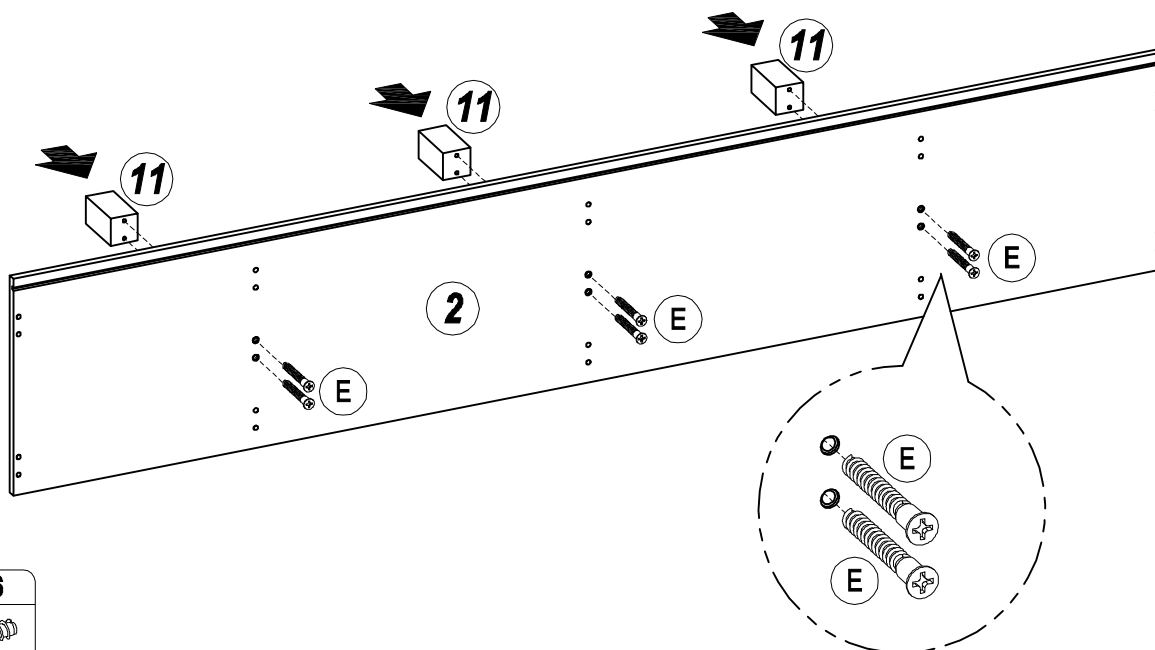
**3**

Diagram 3 shows the attachment of panel 5 to panel 8. It includes a callout for the installation of component A and B.

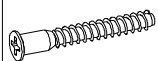
**4**

Diagram 4 shows the attachment of panel 7 to panel 8. It includes a callout for the installation of component A and B.

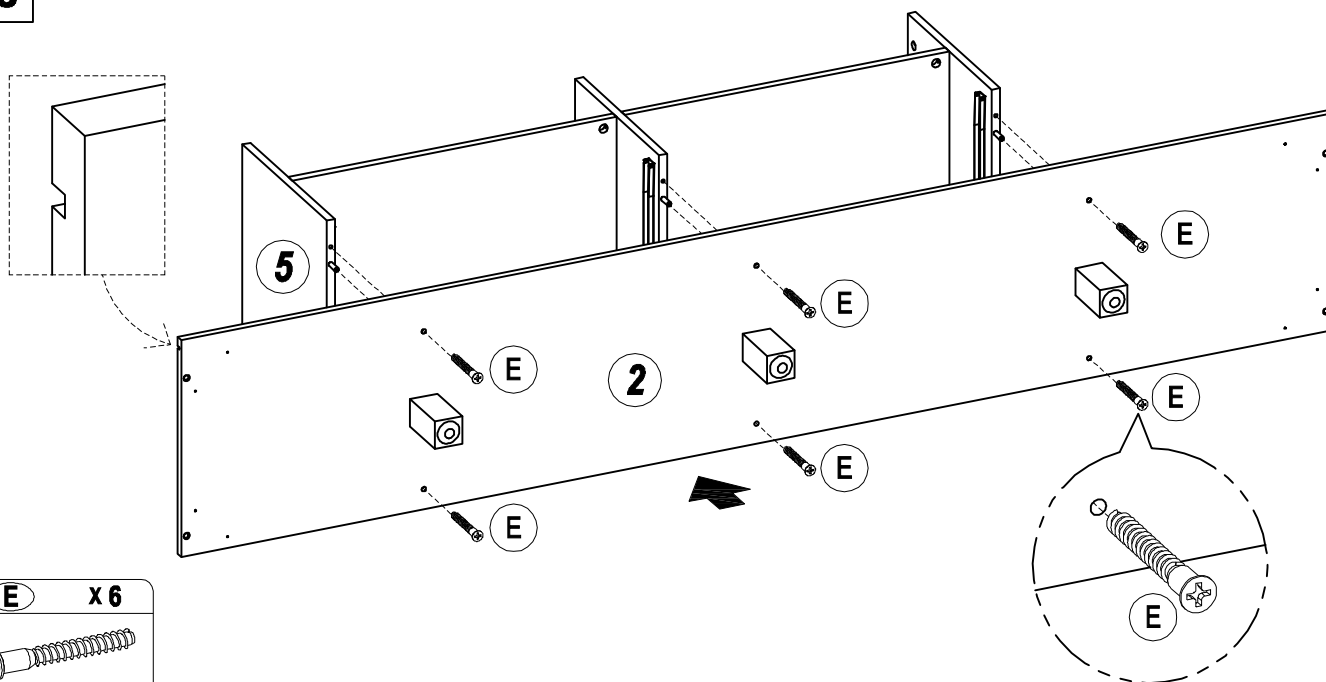
5



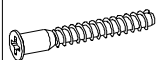
**E** X6



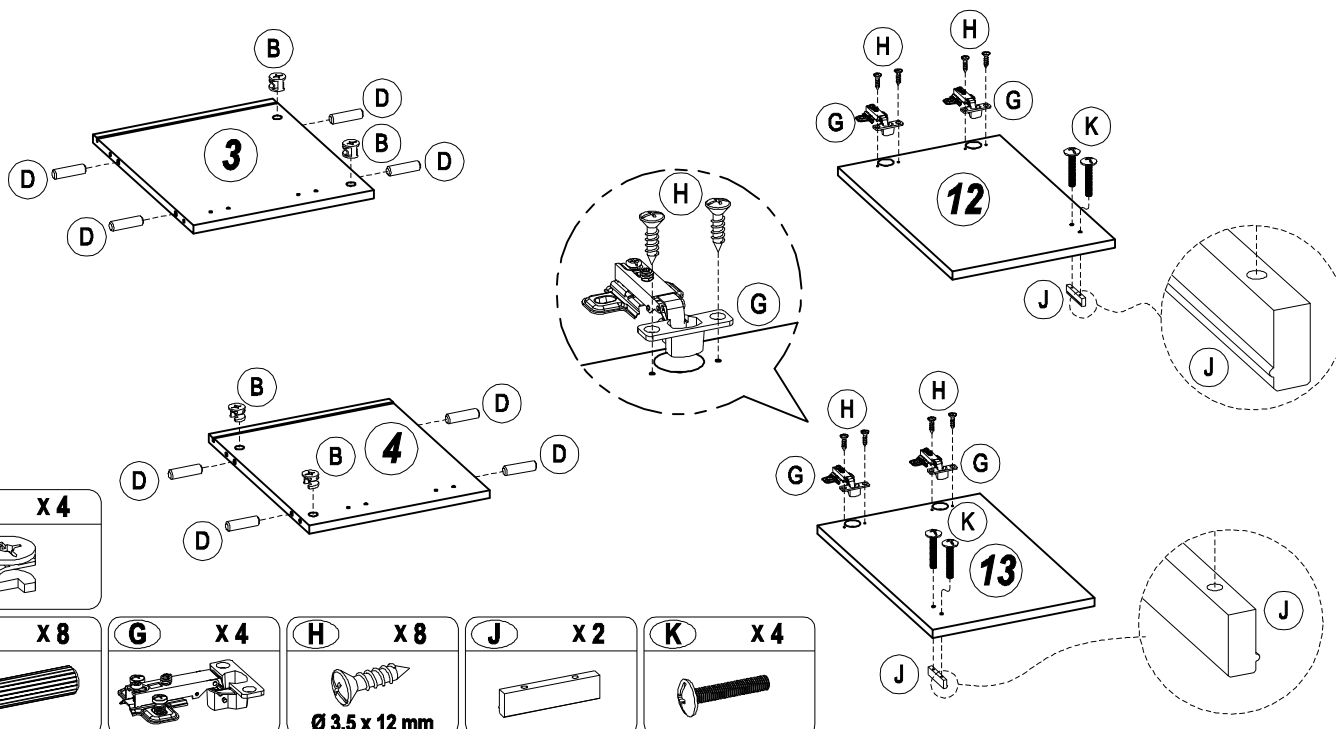
6



**E** X6



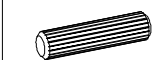
7



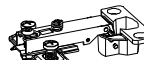
**B** X4



**D** X8



**G** X4



**H** X8



Ø 3.5 x 12 mm

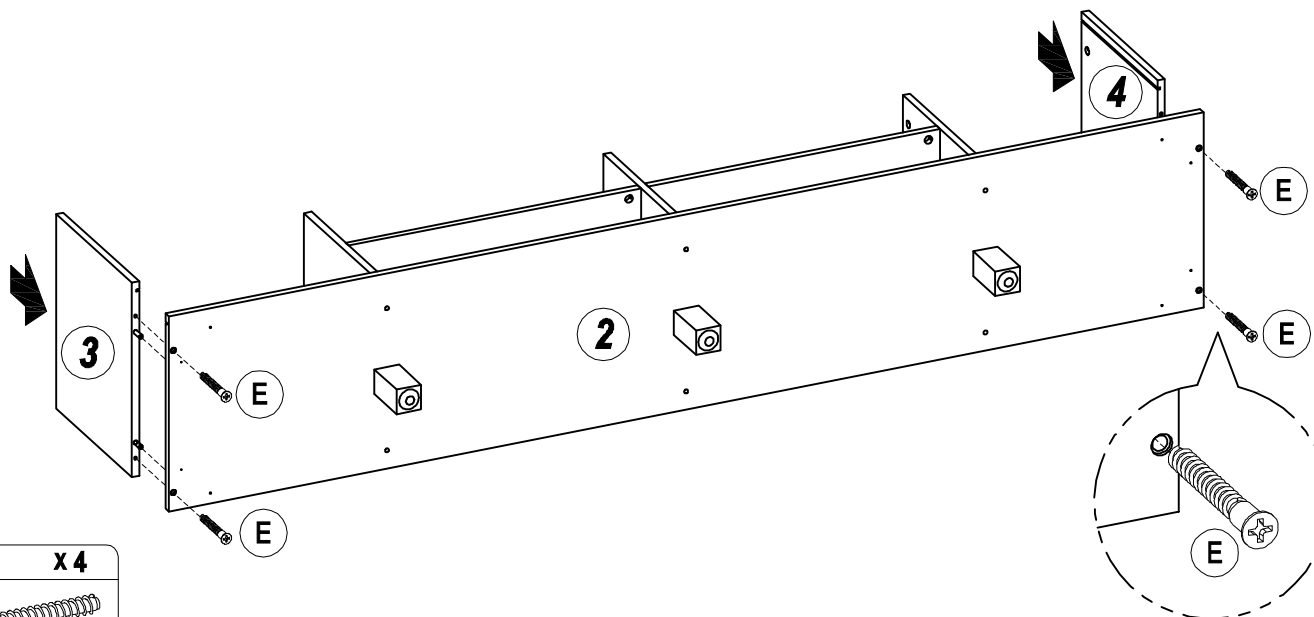
**J** X2



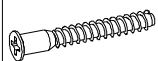
**K** X4



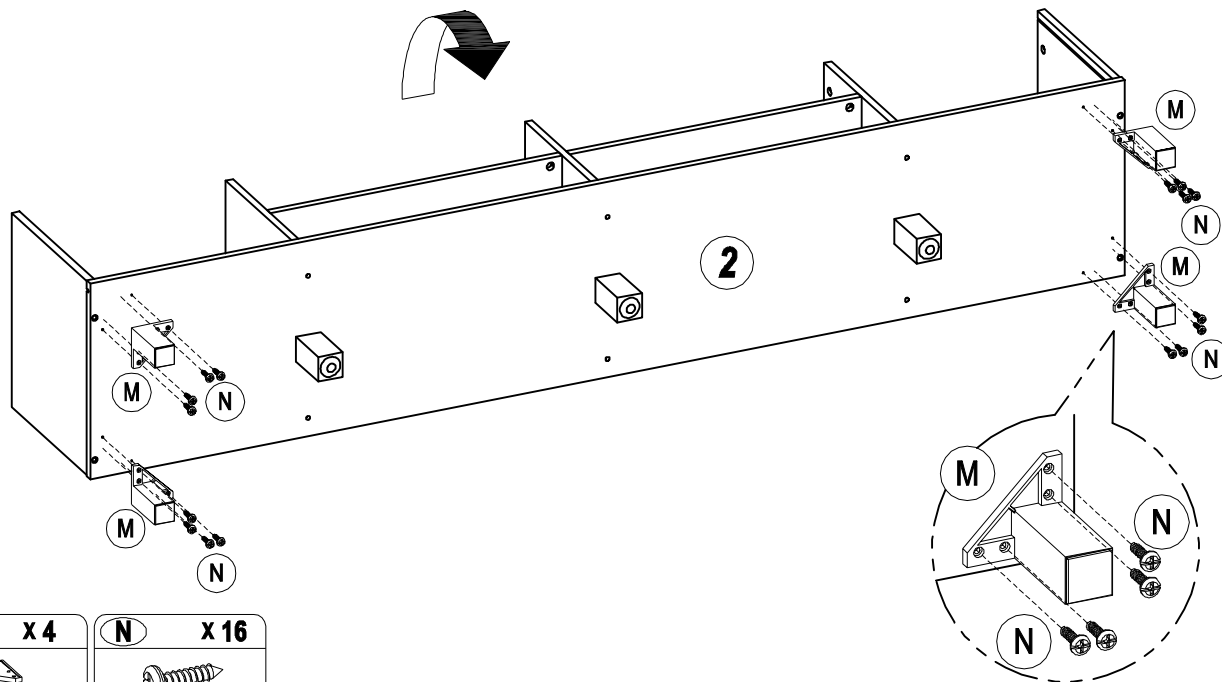
8



**E** x 4



9



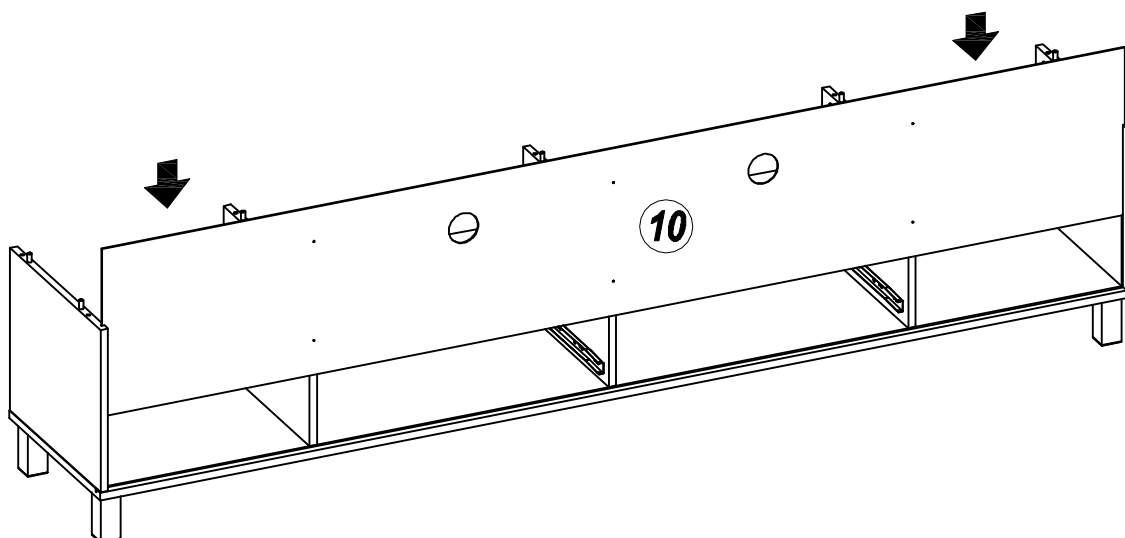
**M** x 4

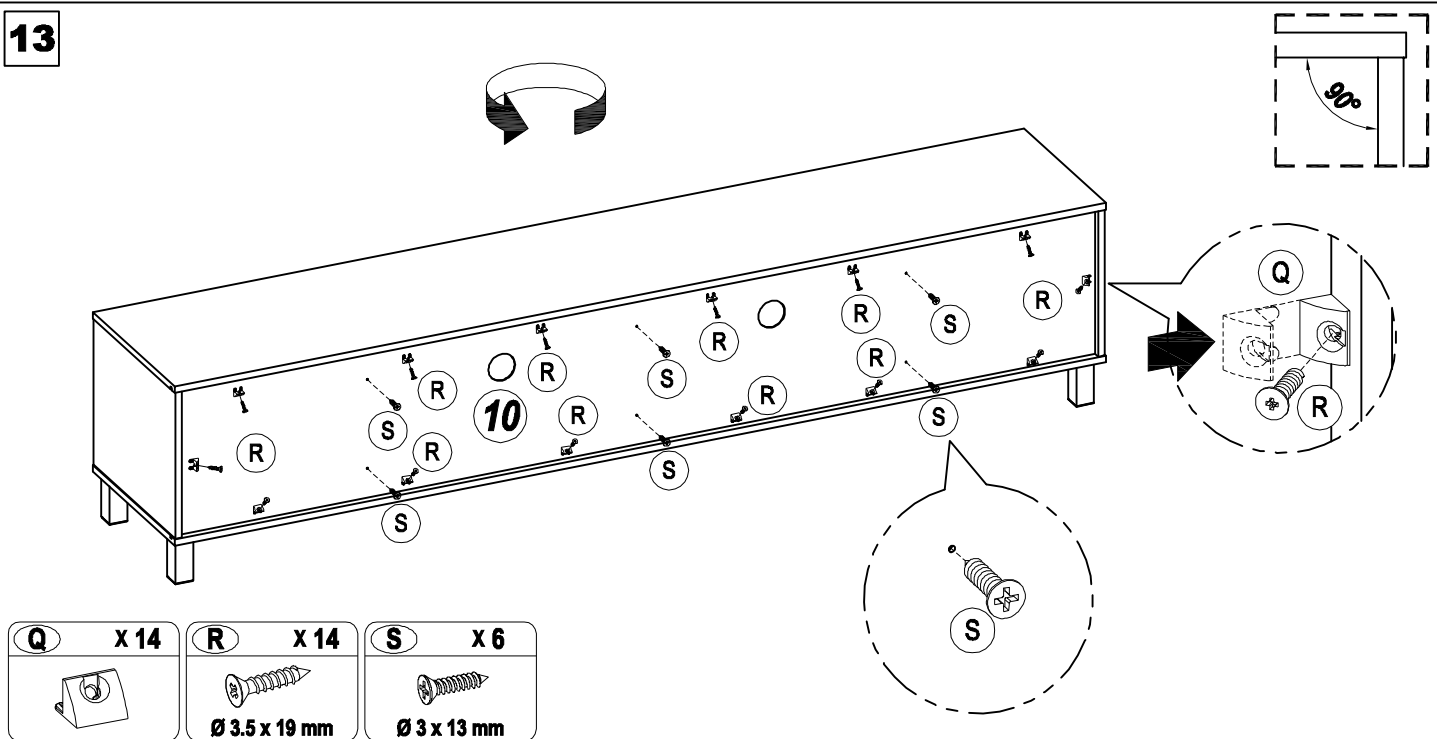
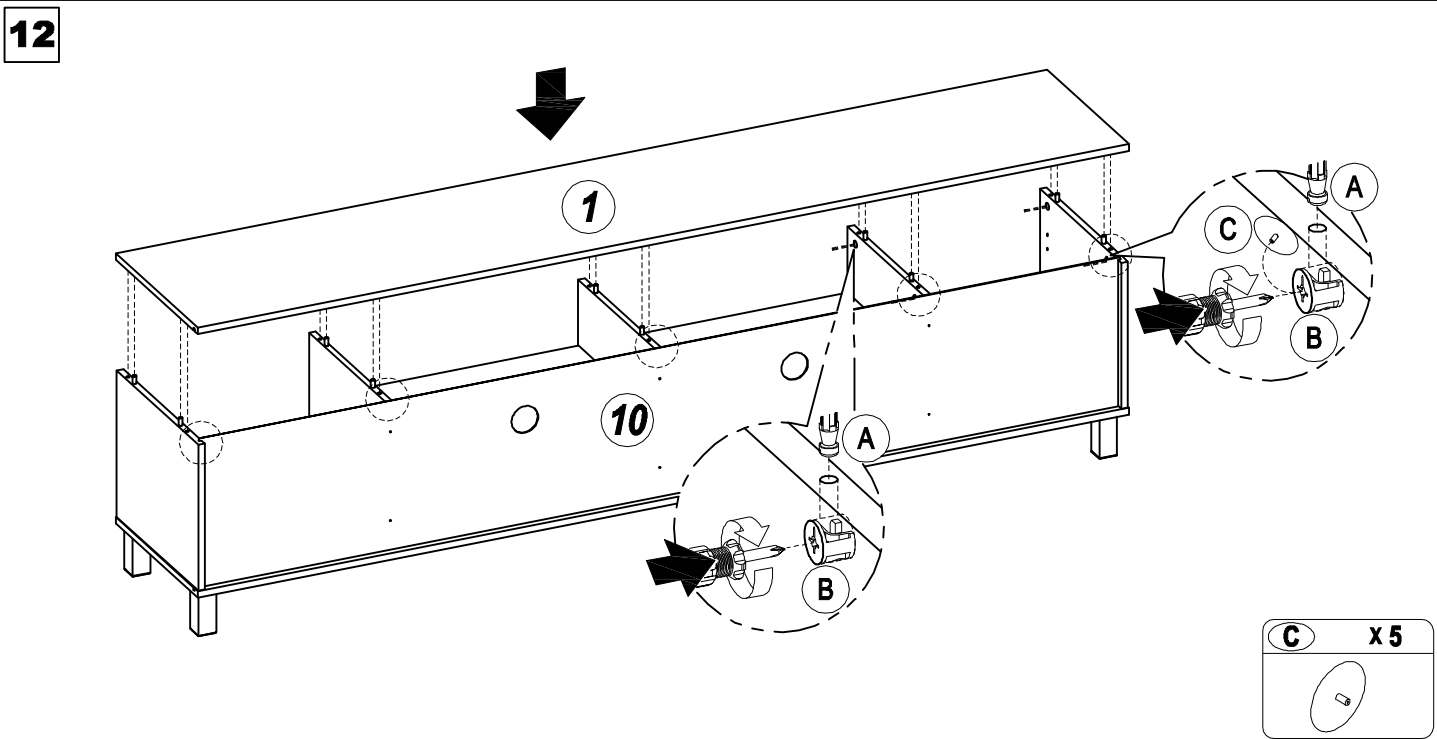
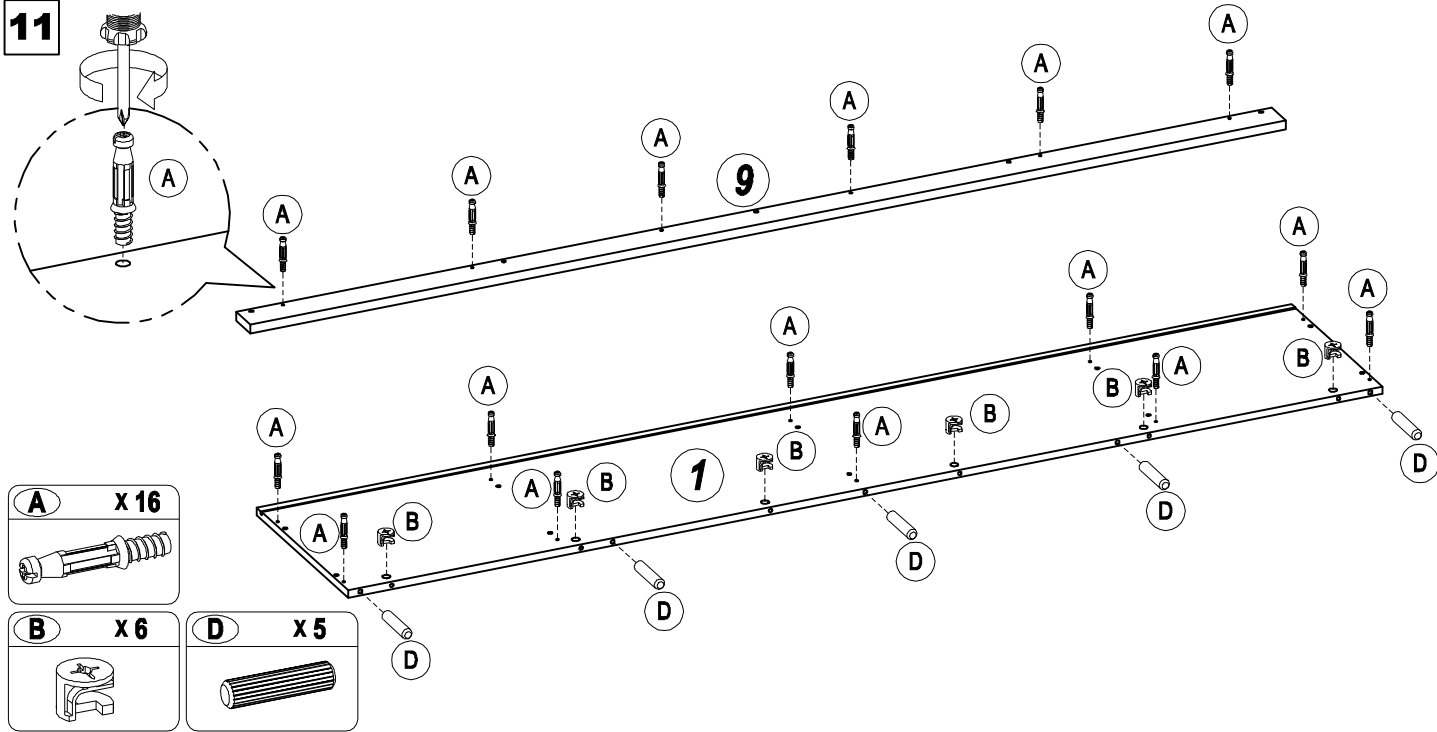


**N** x 16

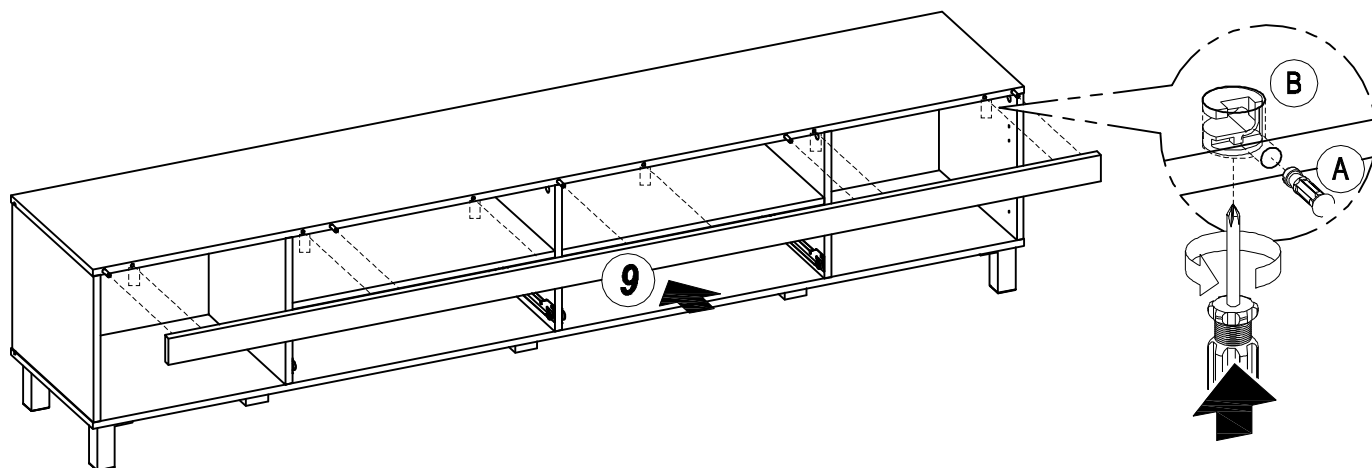


10

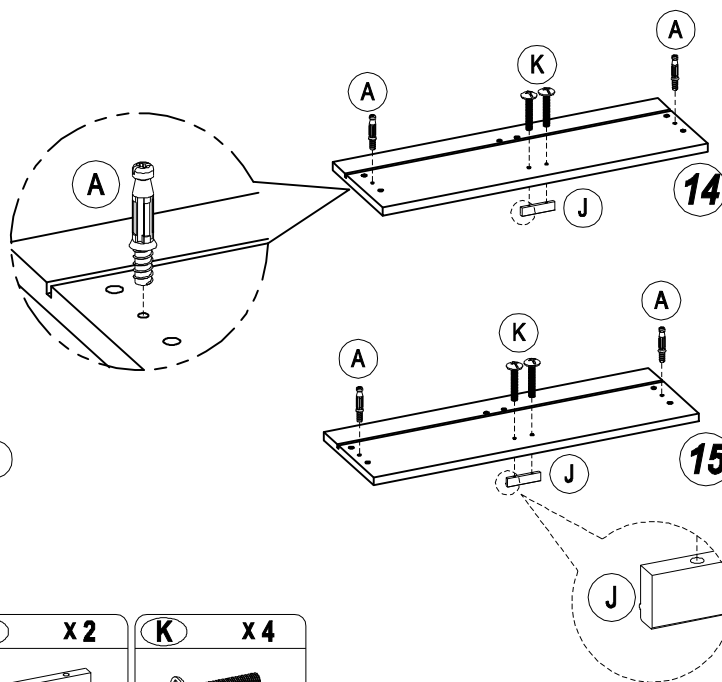
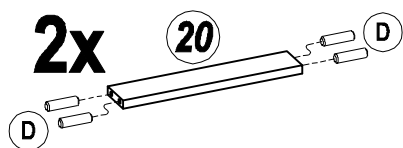
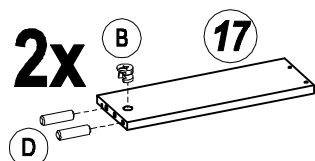
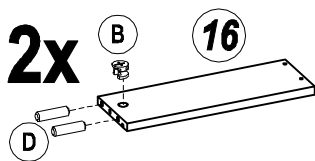




14



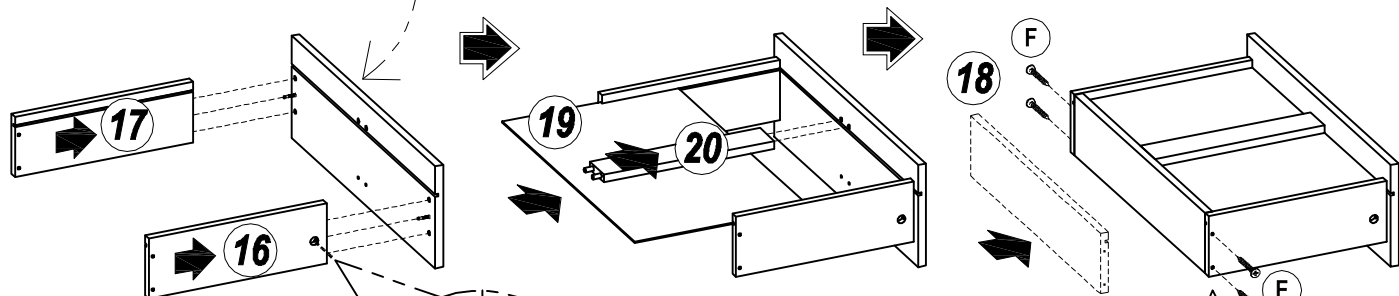
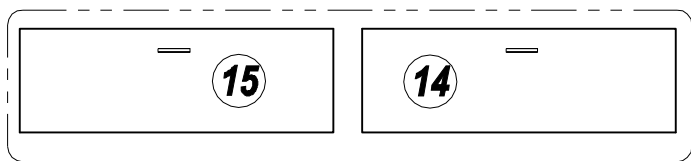
15



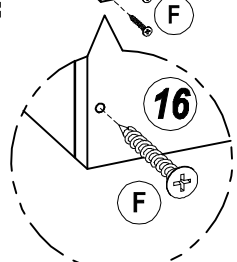
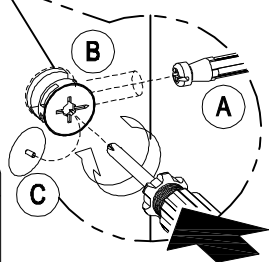
<b>A</b> x4	<b>B</b> x4	<b>D</b> x16	<b>J</b> x2	<b>K</b> x4

16

2X

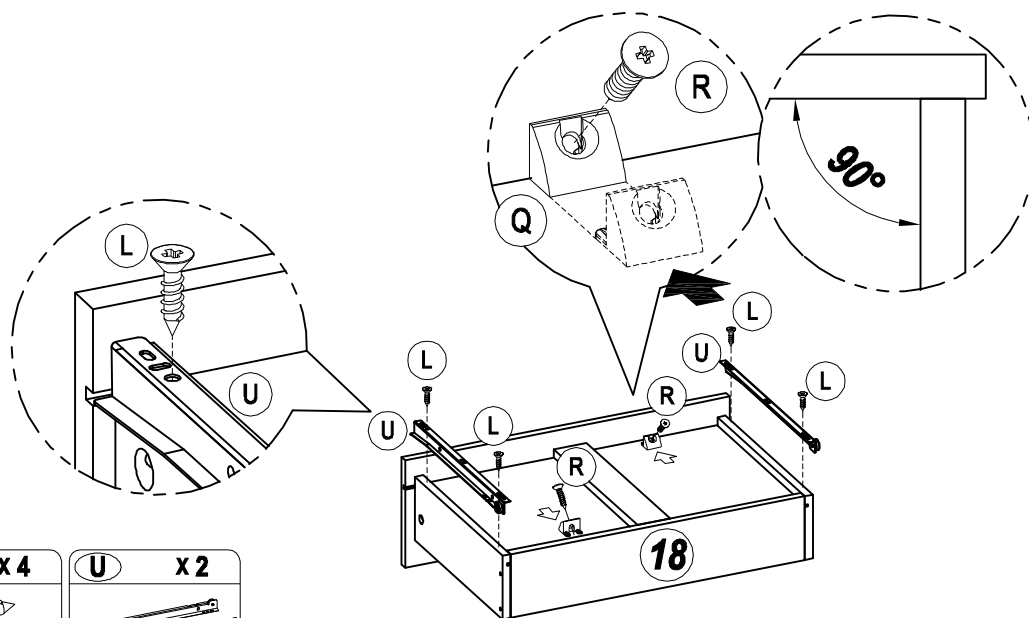


<b>C</b> x4	<b>F</b> x8



17

2X



**L** x 8

Ø 3.5 x 12 mm

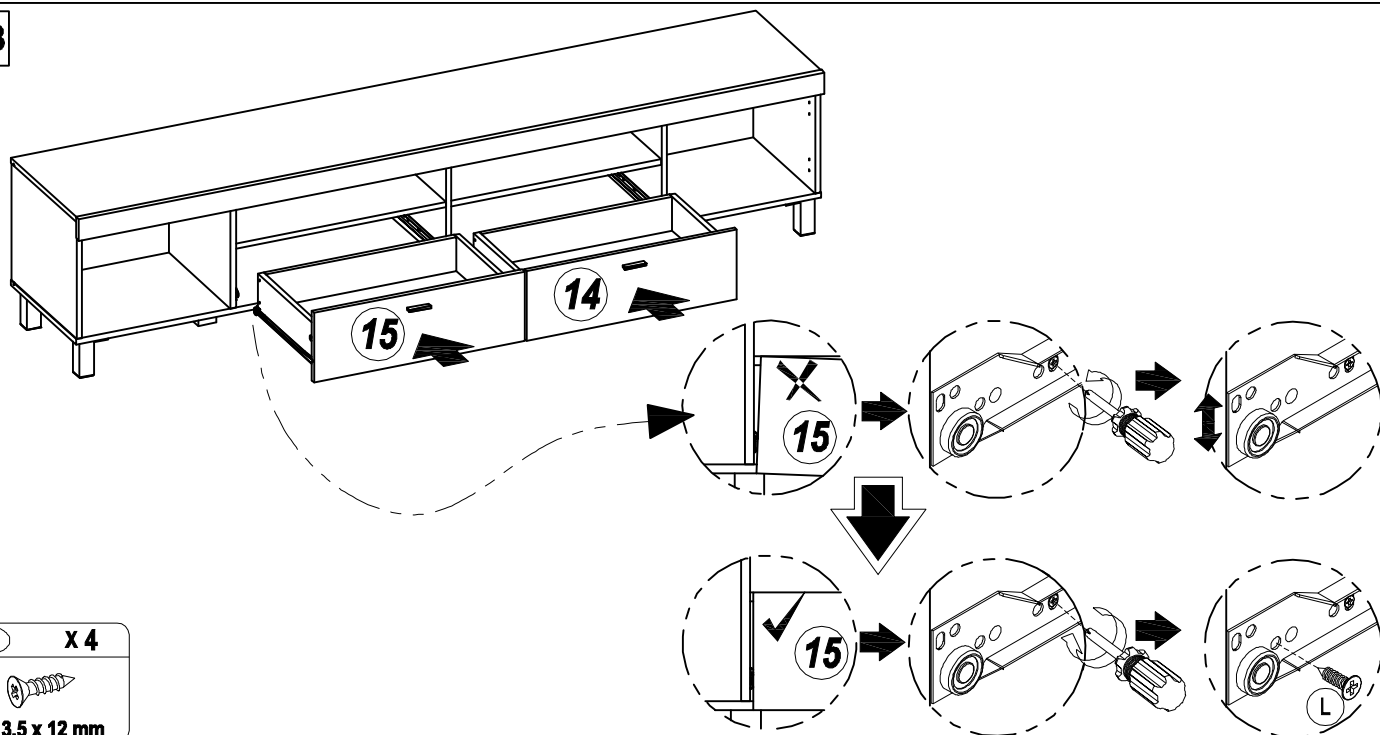
**Q** x 4

**R** x 4

Ø 3.5 x 19 mm

**U** x 2

18



**L** x 4

Ø 3.5 x 12 mm

19

