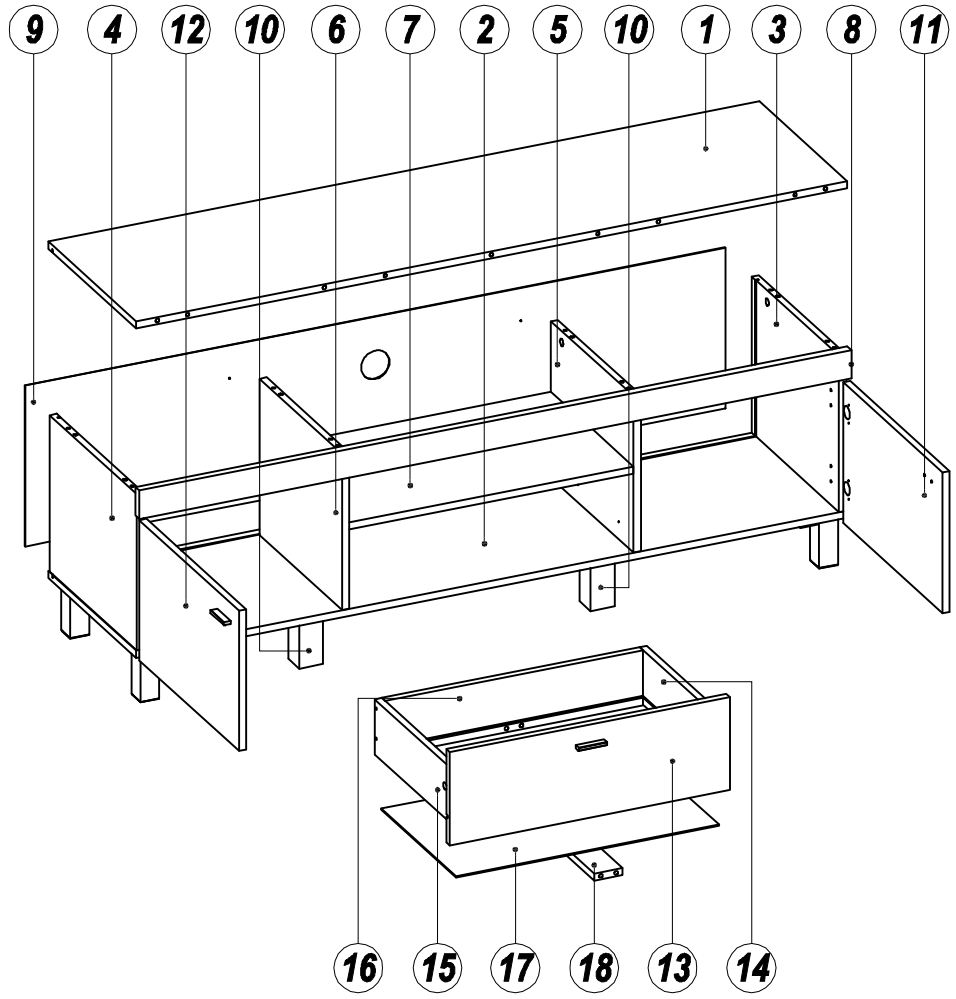
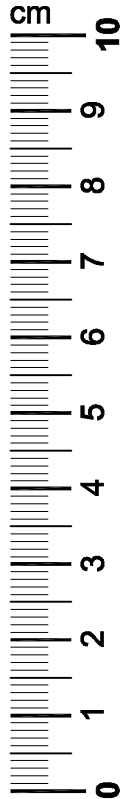
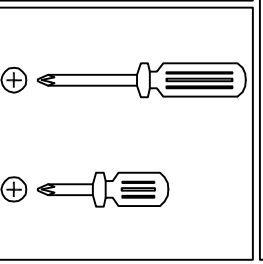
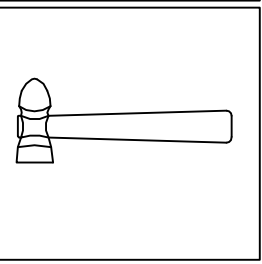
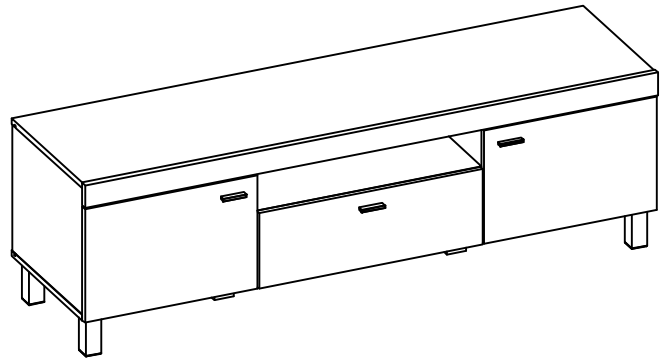


# BENEDICT TV150



<b>A</b> x 18 	<b>B</b> x 18 	<b>C</b> x 6 	<b>D</b> x 33 	<b>E</b> x 12 	<b>F</b> x 4 
<b>G</b> x 4 	<b>H</b> x 8 Ø 3.5 x 12 mm 	<b>J</b> x 3 	<b>K</b> x 6 	<b>L</b> x 10 Ø 3.5 x 12 mm 	<b>M</b> x 4 
<b>N</b> x 16 Ø 3.5 x 12 mm 	<b>P</b> x 2 	<b>Q</b> x 12 	<b>R</b> x 12 Ø 3.5 x 19 mm 	<b>S</b> x 4 Ø 3 x 13 mm 	<b>T</b> x 1 
<b>U</b> x 1 					

**1**

**A** x4   **B** x8   **D** x12   **L** x4   **T** x1   **P** x2

Ø 3.5 x 12 mm

**2**

**A**   **B**

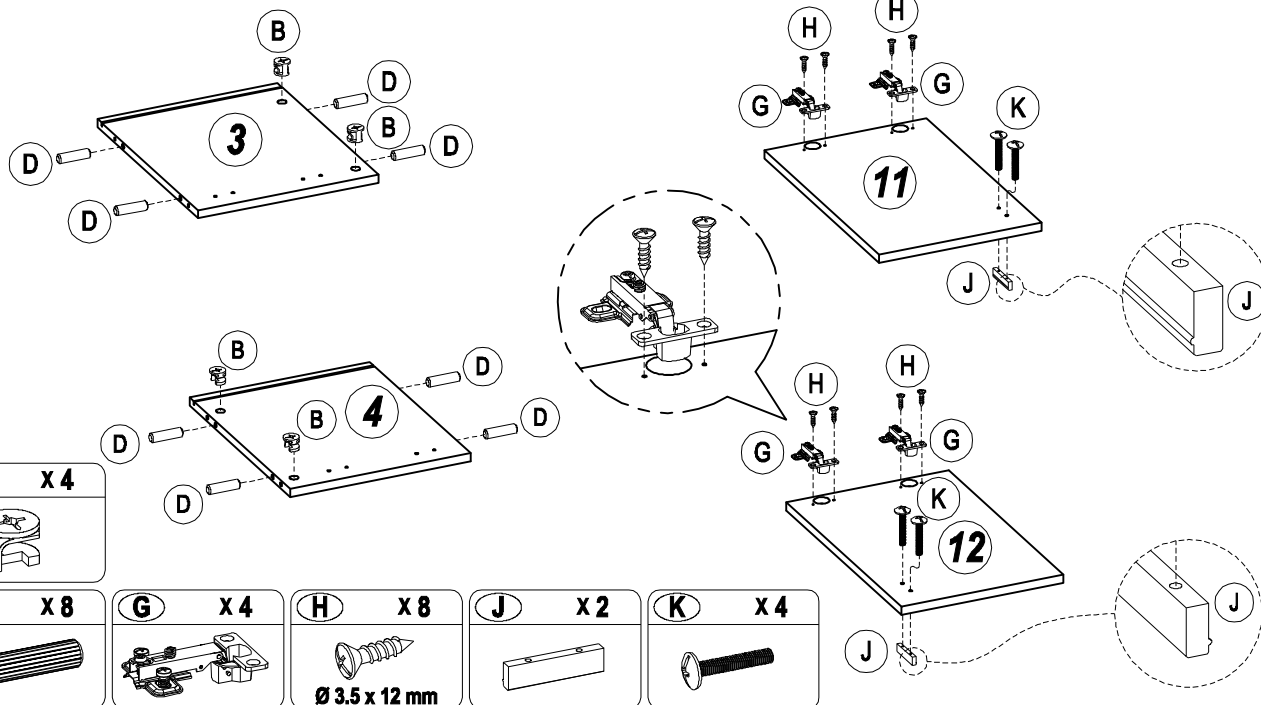
**3**

**E** x4

**4**

**E** x4

5



**B** x4

**D** x8

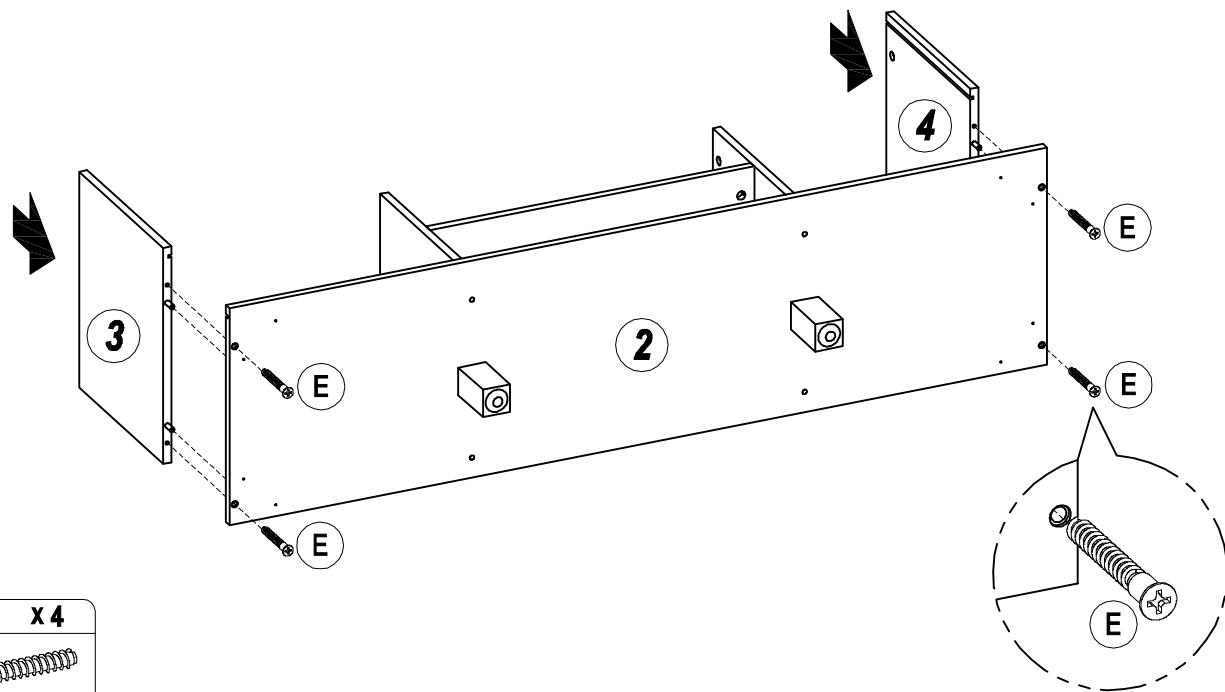
**G** x4

**H** x8  
Ø 3.5 x 12 mm

**J** x2

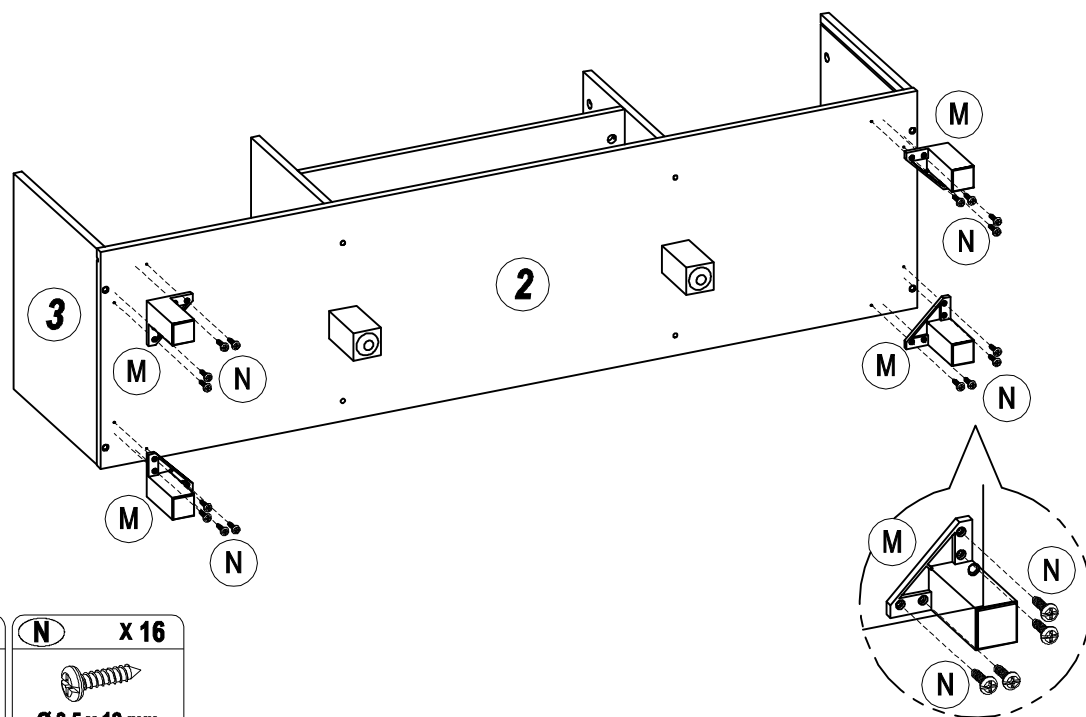
**K** x4

6



**E** x4

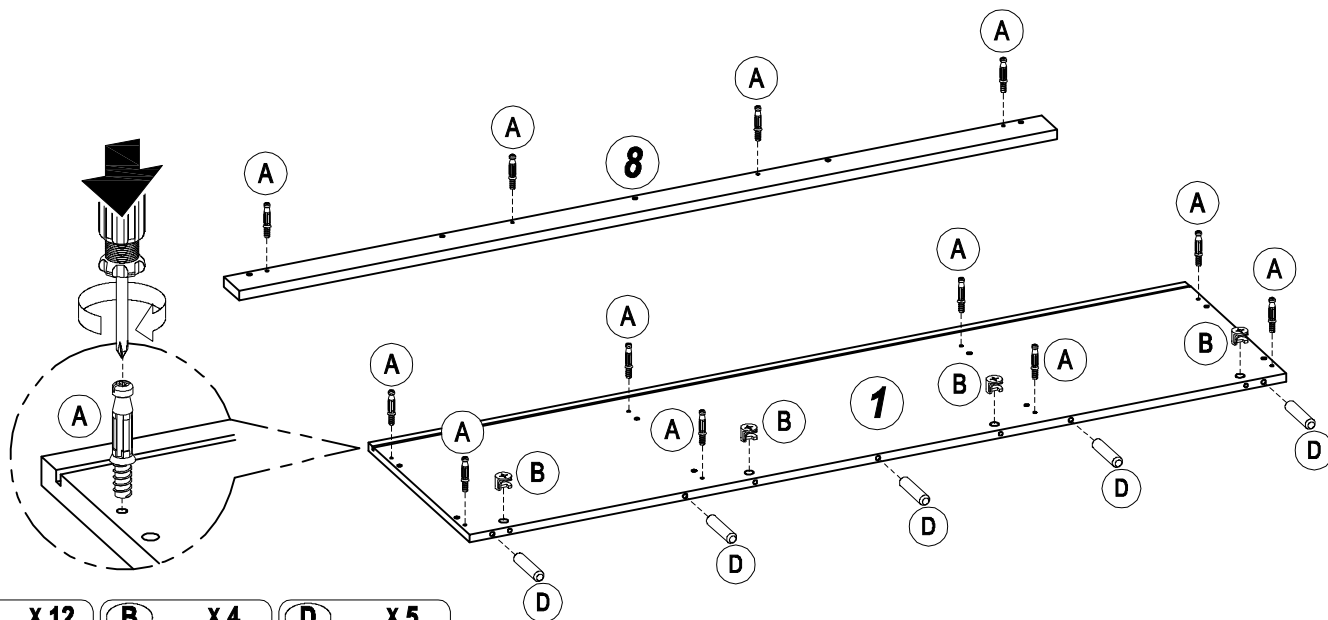
7



**M** x4

**N** x16  
Ø 3.5 x 12 mm

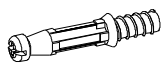
8



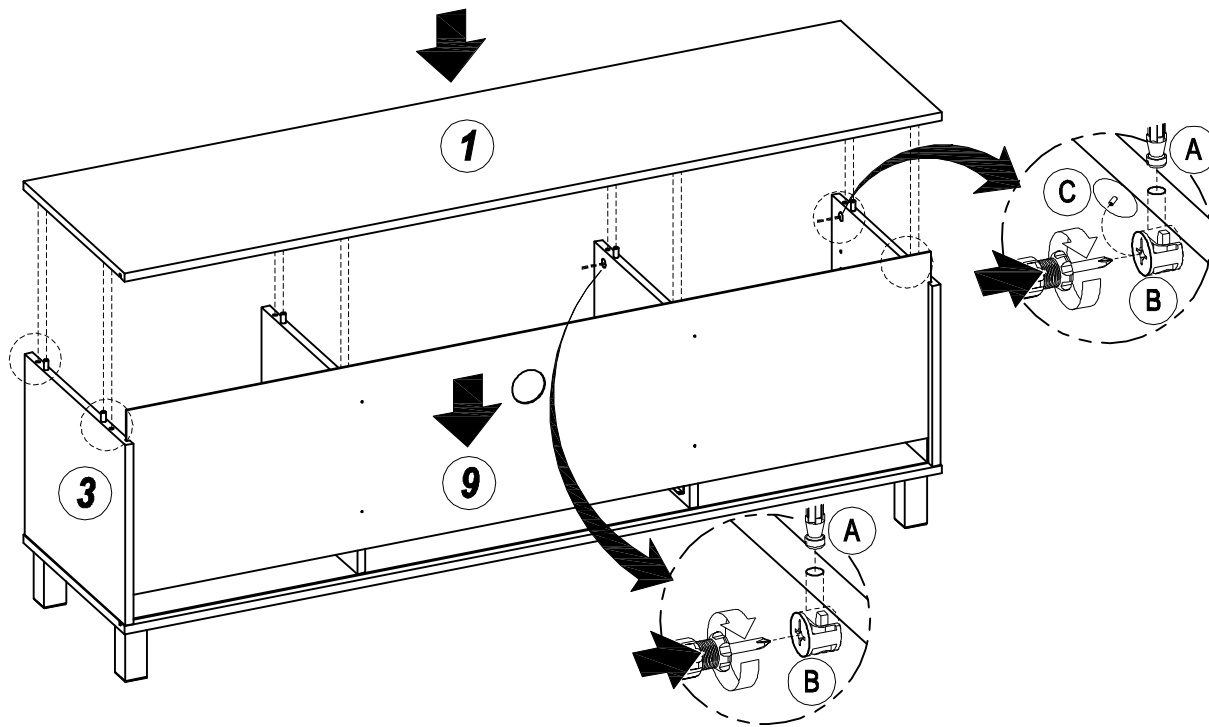
A x 12

B x 4

D x 5



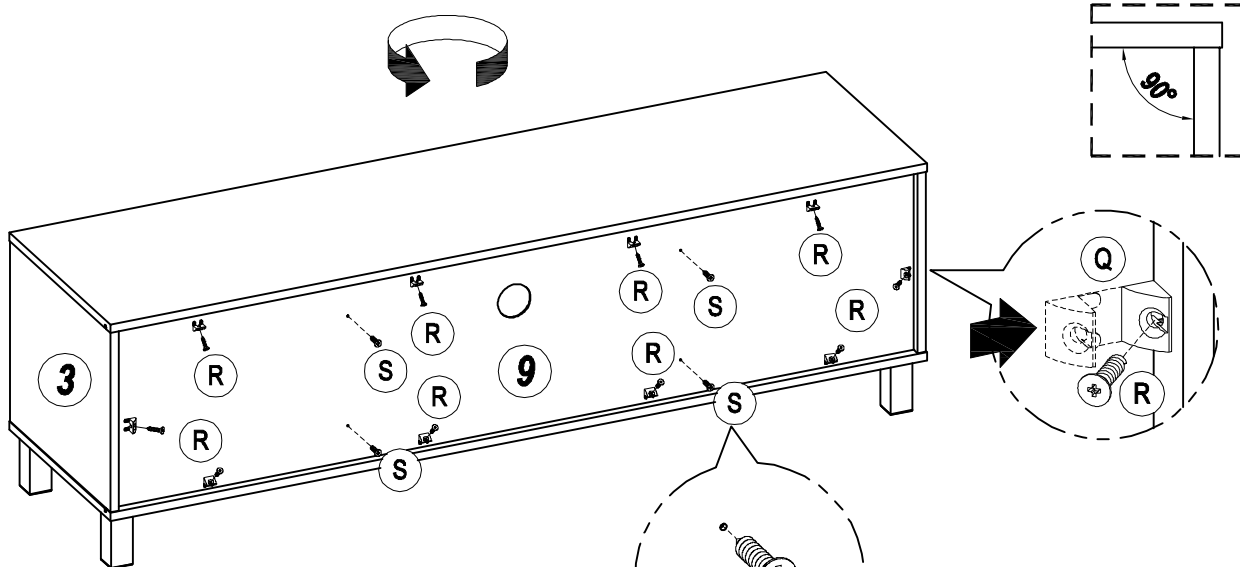
9



C x 4



10



Q x 10

R x 10

S x 4

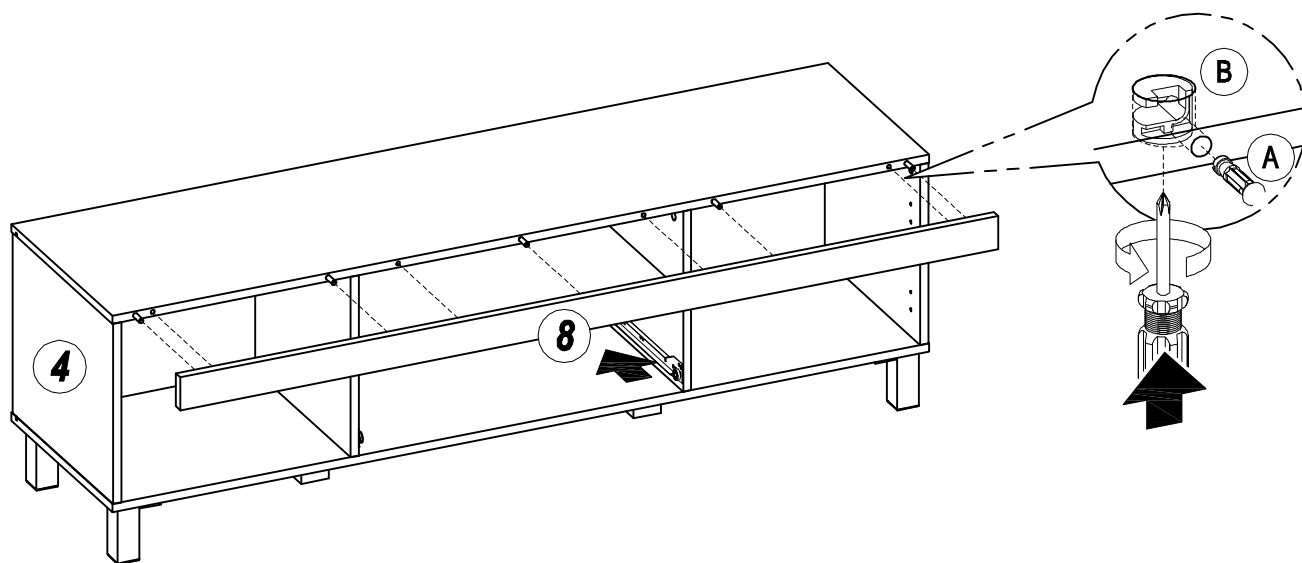


Ø 3.5 x 19 mm

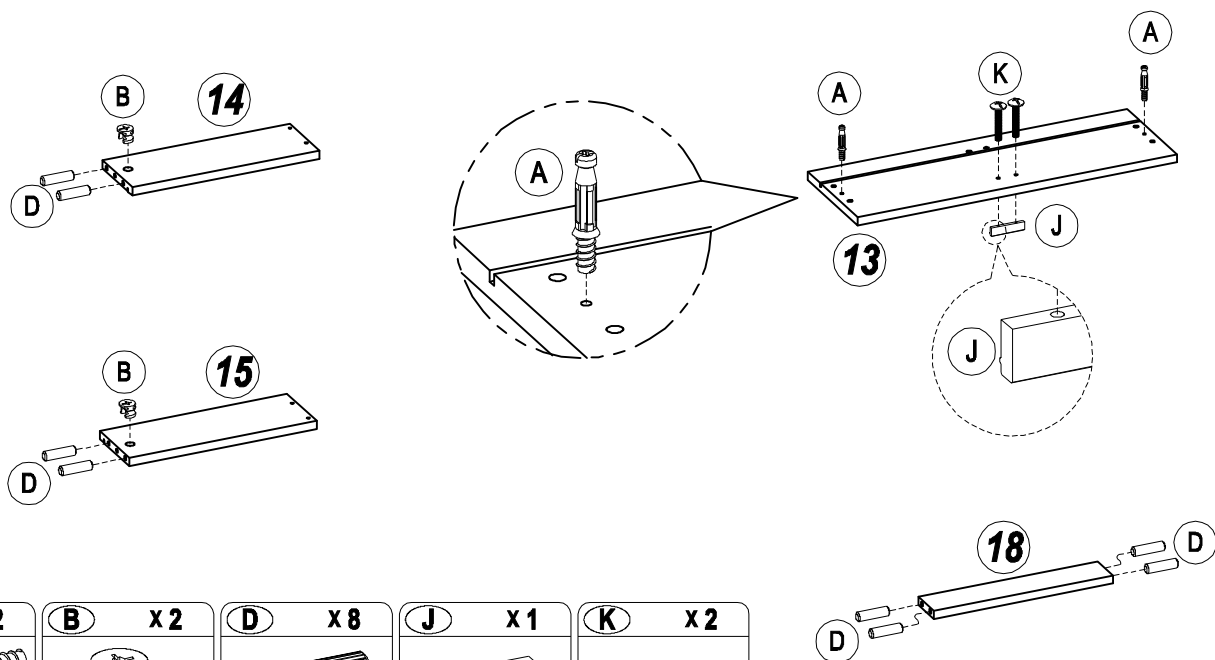


Ø 3 x 13 mm

11

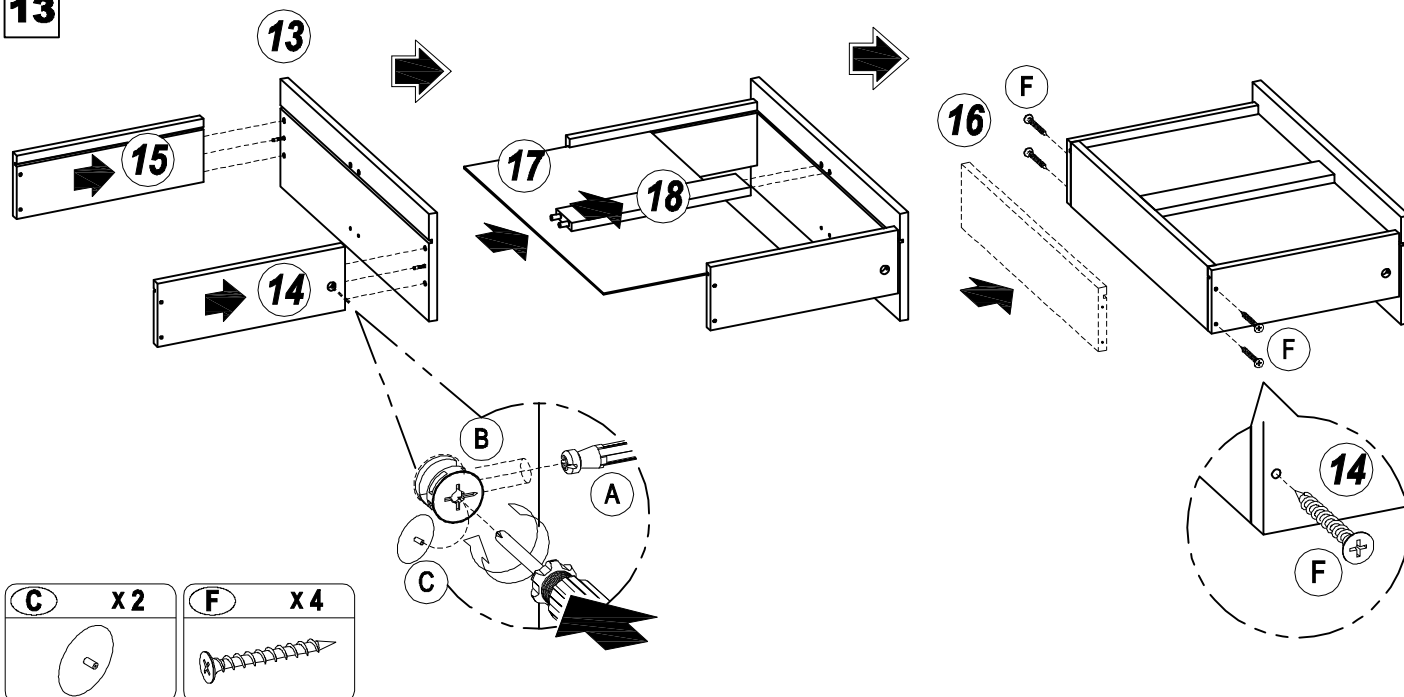


12



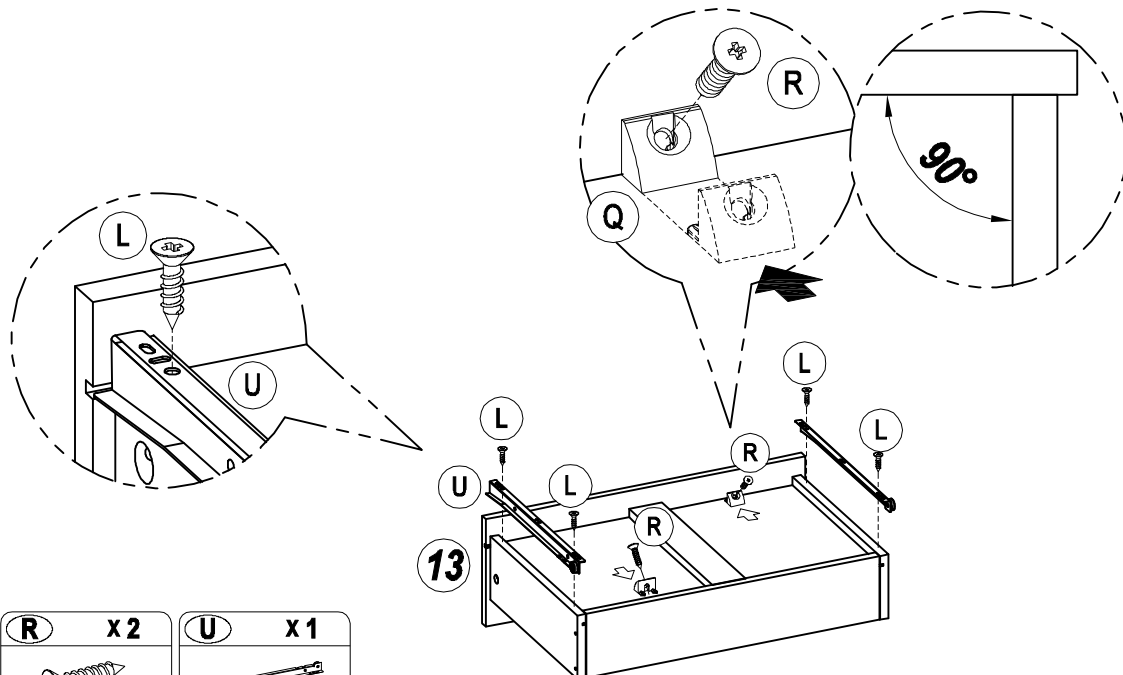
- |             |             |             |             |             |
|-------------|-------------|-------------|-------------|-------------|
| <b>A</b> x2 | <b>B</b> x2 | <b>D</b> x8 | <b>J</b> x1 | <b>K</b> x2 |
|             |             |             |             |             |


13

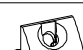


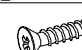
- |             |             |
|-------------|-------------|
| <b>C</b> x2 | <b>F</b> x4 |
|             |             |


14



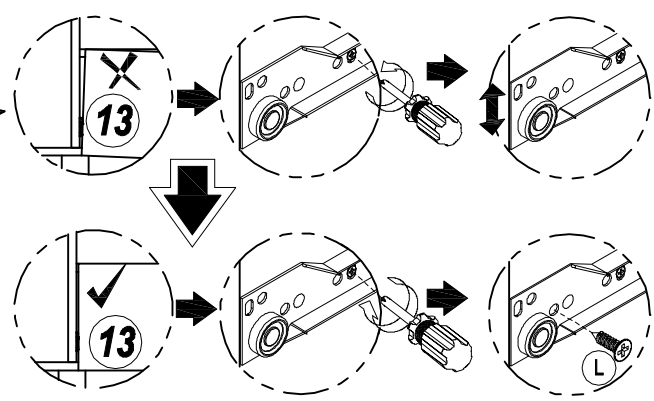
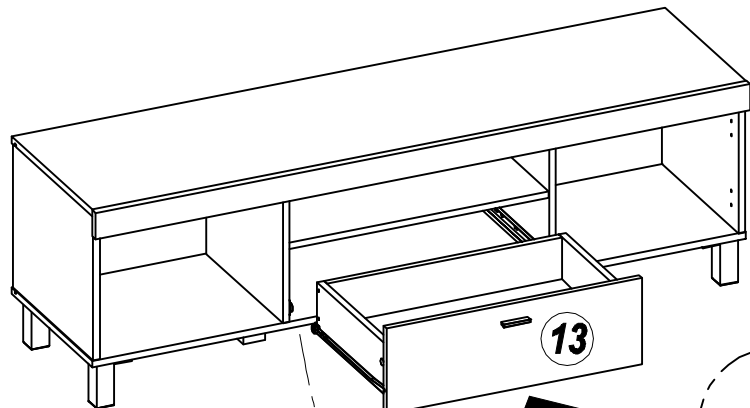
**L** x 4  
  
 Ø 3.5 x 12 mm


**Q** x 2  


**R** x 2  
  
 Ø 3.5 x 19 mm

**U** x 1  


15



**L** x 2  
  
 Ø 3.5 x 12 mm

16

